

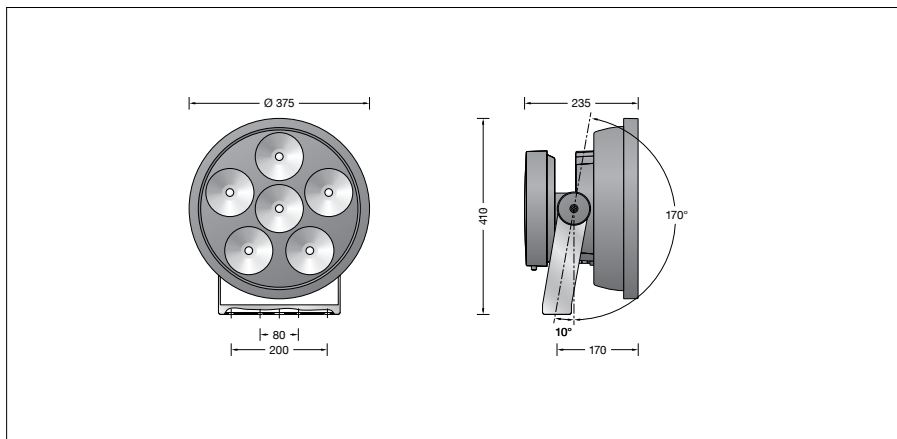
**BEGA****84 537**

High-performance floodlight



Project · Reference number

Date



## Product data sheet

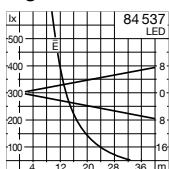
### Application

LED high-performance floodlight with narrow beam light distribution. For a variety of interior and exterior lighting applications.

### Product description

Floodlight made of aluminium alloy, aluminium and stainless steel  
 BEGA Unidure® coating technology  
 Clear safety glass  
 Silicone gasket  
 Reflector surface made of pure aluminium  
 Swivel range -10°/+170°  
 Mounting bracket made of stainless steel  
 Steel grade no. 1.4301 with  
 1 central drilling ø 22 mm and  
 2 fixing holes ø 9 mm · 80 mm spacing  
 2 fixing holes ø 11.5 mm · 200 mm spacing  
 1 screw cable gland for mains supply cable from ø 7,5-12 mm  
 Integrated changeover switch for the limitation of the luminous flux to 70 % · 50 % · 30 %  
 LED power supply unit  
 220-240 V ~ 0/50-60 Hz  
 DC 176-288 V  
 During DC operation the LED power is reduced to 10 %  
 DALI controllable  
 or dimmable 1-10 V  
 BEGA Thermal Control®  
 Temporary thermal regulation to protect temperature-sensitive components without switching off the luminaire  
 Safety class I  
 Protection class IP 67  
 Dust-tight and protection against temporary immersion  
 Impact strength IK10  
 Protection against mechanical impacts < 20 joule  
 – Safety mark  
 – Conformity mark  
 Wind catching area: 0.12 m<sup>2</sup>  
 Weight: 9.2 kg

### Light distribution



### Lamp

Module connected wattage	122.4 W
Luminaire connected wattage	132 W
Rated temperature	$t_a = 25 \text{ }^\circ\text{C}$
Ambient temperature	$t_{a \text{ max}} = 45 \text{ }^\circ\text{C}$

On request we can offer you modifications for environments with higher temperatures as a customized product.

#### 84 537 K4

Module designation	6x LED-0867/840
Colour temperature	4000 K
Colour rendering index	CRI > 80
Module luminous flux	20820 lm
Luminaire luminous flux	15004 lm
Luminaire luminous efficiency	113,7 lm/W

#### 84 537 K3

Module designation	6x LED-0867/830
Colour temperature	3000 K
Colour rendering index	CRI > 80
Module luminous flux	20310 lm
Luminaire luminous flux	14372 lm
Luminaire luminous efficiency	108,9 lm/W

#### 84 537 K2

Module designation	6x LED-0867/622
Colour temperature	2200 K
Colour rendering index	CRI > 65
Module luminous flux	19590 lm
Luminaire luminous flux	14220 lm
Luminaire luminous efficiency	106,1 lm/W

### Service life · Ambient temperature

Rated temperature $t_a = 25 \text{ }^\circ\text{C}$	
LED psu:	> 50,000h
LED module:	145,000h (L80B50)

Ambient temperature $t_{a \text{ max}} = 45 \text{ }^\circ\text{C}$ (100 %)	
LED psu:	50,000h
LED module:	100,000h (L80B50)

### Lighting technology

Symmetrical narrow beam light distribution.  
 Half beam angle 17°  
 Luminaire data for the light planning program DIALux for outdoor lighting, street lighting and indoor lighting, as well as luminaire data in EULUMDAT and IES format are available on the BEGA website at [www.bega.com](http://www.bega.com).

### Article No. 84 537

Colour temperature 4000 K.  
 Also available with 3000 K or 2200K on request.  
 4000 K – article number + **K4**  
 3000 K – article number + **K3**  
 2200 K – article number + **K2**

### Accessories

Mounting box and mounting base for permanent mounting of floodlights on pillars, walls and ceilings

<b>70 225</b>	Mounting box IP 65
<b>70 348</b>	Mounting box IP 55
<b>70 208</b>	Mounting base h = 120 mm

Pole caps for mounting a floodlight on a pole

<b>70 342</b>	Pole cap for ø 76 mm
<b>70 343</b>	Pole cap for ø 89 mm

Outrigger arm for the installation of one floodlight at BEGA steel poles or on walls

<b>70 391</b>	Outrigger arm
Pole caps for mounting 1-2 outrigger arms on top of a steel pole	
<b>70 387</b>	Pole cap for pole ø 76 mm
<b>70 388</b>	Pole cap for pole ø 89 mm

Pole top attachments for multi-arrangement of floodlights on a steel pole

<b>70 762</b>	Pole top attach. for 2 floodlights
<b>70 763</b>	Pole top attach. for 3 floodlights
<b>70 764</b>	Pole top attach. for 4 floodlights

Cross beams for floodlights for mounting on walls, under ceilings or on the floor

<b>70 761</b>	Cross beam for 3 floodlights
<b>70 765</b>	Cross beam for 6 floodlights

**71 071** Fixing of floodlight

**71 110** Shield

The shield can be screwed on and prevents lateral glare from one direction up to an angle of 45°.

**71 109** Louvre

The internal louvre prevents looking from a lateral angle up to 45° into the luminaire from all directions.

For the accessories a separate instructions for use can be provided upon request.