

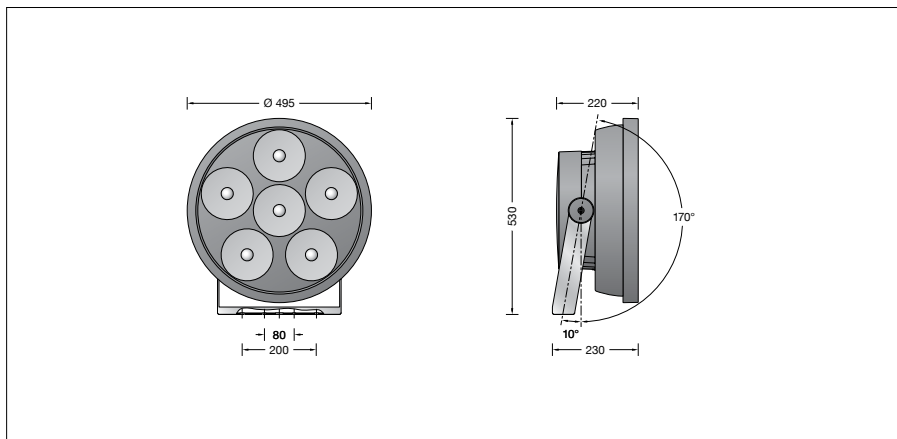
BEGA**84 530**

High-performance floodlight RGBW



Project · Reference number

Date



Product data sheet

Application

LED high-performance floodlight with wide beam light distribution for additive colour mixing RGBW.

The floodlight can be controlled by DALI colour light control (DT8, RGBWAF, xy).

We recommend our BEGA Control system for this purpose.

Product description

Floodlight made of aluminium alloy, aluminium and stainless steel

BEGA Unidure® coating technology

Clear safety glass

Silicone gasket

Reflector surface made of pure aluminium

Swivel range $-10^{\circ}/+170^{\circ}$

Mounting bracket made of stainless steel

Steel grade no. 1.4301 with

1 central drilling \varnothing 22 mm and

2 fixing holes \varnothing 9 mm · 80 mm spacing

2 fixing holes \varnothing 11.5 mm · 200 mm spacing

1 screw cable gland for mains supply cable

from \varnothing 7,5-15 mm

Integrated changeover switch for the limitation

of the luminous flux to 70 % · 50 % · 30 %

LED power supply unit

220-240 V \sim 0/50-60 Hz

DC 176-264 V

DALI controllable

A basic isolation exists between power cable

and control line

Safety class I

Protection class IP 67

Dust-tight and protection against temporary

immersion

Impact strength IK08

Protection against mechanical

impacts < 5 joule

– Safety mark

– Conformity mark

Wind catching area: 0.2 m²

Weight: 19.9 kg

Lamp

Module connected wattage 236.4 W

Luminaire connected wattage 260 W

Rated temperature $t_a = 25^{\circ}\text{C}$

Ambient temperature $t_{a,max} = 25^{\circ}\text{C}$

Module designation 6x LED-0871/RGBW

Luminaire luminous flux 16049 lm

Luminaire luminous efficiency 61,7 lm/W

Service life of the LED

max. ambient temperature $t_a = 25^{\circ}\text{C}$

– at 220,000h: L70 B50

Light technique

Symmetrical wide beam light distribution

Half beam angle 47°

Luminaire data for the light planning program

DIALux for outdoor lighting, street lighting and

indoor lighting, as well as luminaire data in

EULUMDAT and IES format are available on the

BEGA website at www.bega.com.

Inrush current

Inrush current: 8 A / 100 μs

Maximum number of luminaires of this

type per miniature circuit breaker:

B 10A: 5 luminaires

B 16A: 8 luminaires

C 10A: 5 luminaires

C 16A: 8 luminaires

Article No. 84 530

Colour temperature 4000 K.

Also available with 3000 K or 2200K on request.

4000 K – article number + **K4**

3000 K – article number + **K3**

2200 K – article number + **K2**

Accessories

Mounting box and mounting base for permanent mounting of floodlights on pillars, walls and ceilings

70 225 Mounting box IP 65

70 348 Mounting box IP 55

70 208 Mounting base h = 120 mm

Pole caps for mounting a floodlight on a pole

70 342 Pole cap for \varnothing 76 mm

70 343 Pole cap for \varnothing 89 mm

Outrigger arm for the installation of one floodlight at BEGA steel poles or on walls

70 391 Outrigger arm

Pole caps for mounting 1-2 outrigger arms on top of a steel pole

70 387 Pole cap for pole \varnothing 76 mm

70 388 Pole cap for pole \varnothing 89 mm

Pole top attachments for multi-arrangement of floodlights on a steel pole

70 762 Pole top attach. for 2 floodlights

70 763 Pole top attach. for 3 floodlights

70 764 Pole top attach. for 4 floodlights

Cross beams for floodlights for mounting on walls, under ceilings or on the floor

70 761 Cross beam for 3 floodlights

70 765 Cross beam for 6 floodlights

71 071 Fixing of floodlight

71 101 Shield

The shield can be screwed on and prevents lateral glare from one direction up to an angle of 45° .

For the accessories a separate instructions for use can be provided upon request.