

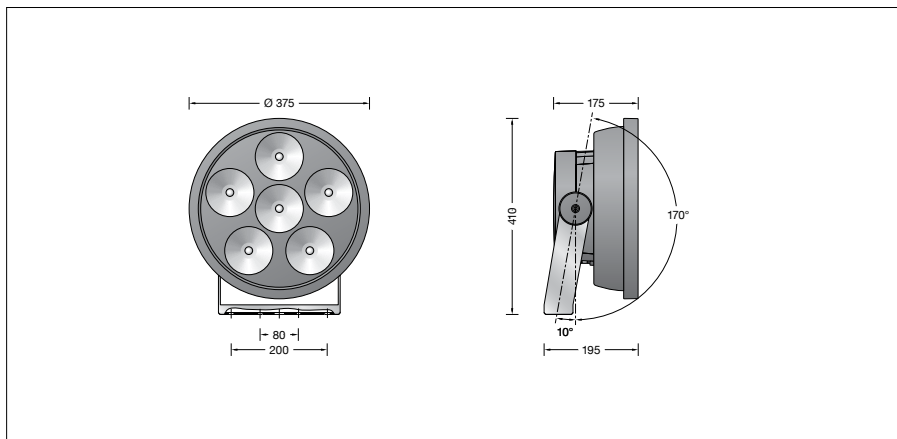
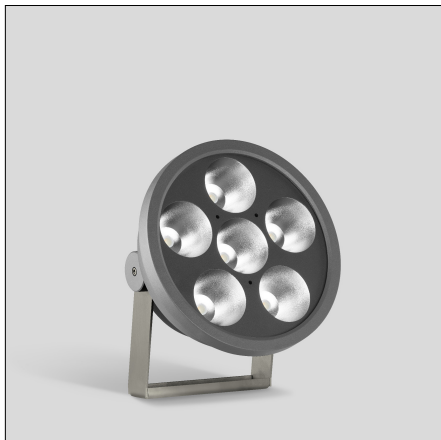
**BEGA****84 529**

High-performance floodlight RGBW



Project · Reference number

Date

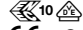



## Product data sheet

### Application

LED high-performance floodlight with wide beam light distribution for additive colour mixing RGBW. The floodlight can be controlled by DALI colour light control (DT8, RGBWAF, xy). We recommend our BEGA Control system for this purpose.

### Product description

Floodlight made of aluminium alloy, aluminium and stainless steel  
 Clear safety glass  
 Silicone gasket  
 Reflector surface made of pure aluminium  
 Swivel range  $-10^{\circ}/+170^{\circ}$   
 Mounting bracket made of stainless steel  
 Steel grade no. 1.4301 with  
 1 central drilling  $\varnothing 22$  mm and  
 2 fixing holes  $\varnothing 9$  mm · 80 mm spacing  
 2 fixing holes  $\varnothing 11.5$  mm · 200 mm spacing  
 1 screw cable gland for mains supply cable from  $\varnothing 7.5$ -15 mm  
 Integrated changeover switch for the limitation of the luminous flux to 70 % · 50 % · 30 %  
 LED power supply unit  
 220-240 V  $\sim$  0/50-60 Hz  
 DC 176-264 V  
 DALI controllable  
 A basic isolation exists between power cable and control line  
 Safety class I  
 Protection class IP 67  
 Dust-tight and protection against temporary immersion  
 Impact strength IK10  
 Protection against mechanical impacts < 20 joule  
 – Safety mark  
 – Conformity mark  
 Wind catching area: 0.12 m<sup>2</sup>  
 Weight: 11.1 kg

### Lamp

Module connected wattage	120 W
Luminaire connected wattage	132 W
Rated temperature	$t_a = 25^{\circ}\text{C}$
Ambient temperature	$t_{a, \text{max}} = 35^{\circ}\text{C}$

Module designation	6x LED-0869/RGBW
Module luminous flux	11340 lm
Luminaire luminous flux	8335 lm
Luminaire luminous efficiency	63,1 lm/W

### Service life of the LED

Ambient temperature  $t_a = 25^{\circ}\text{C}$   
 – at 280,000h: L70B50

max. ambient temperature  $t_a = 35^{\circ}\text{C}$   
 – at 230,000h: L70B50

### Light technique

Symmetrical wide beam light distribution  
 Half beam angle  $47^{\circ}$   
 Luminaire data for the light planning program DIALux for outdoor lighting, street lighting and indoor lighting, as well as luminaire data in EULUMDAT and IES format are available on the BEGA website at [www.bega.com](http://www.bega.com).

### Accessories

Mounting box and mounting base for permanent mounting of floodlights on pillars, walls and ceilings

**70 225** Mounting box IP 65

**70 348** Mounting box IP 55

**70 208** Mounting base h = 120 mm

Pole caps for mounting a floodlight on a pole

**70 342** Pole cap for  $\varnothing 76$  mm

**70 343** Pole cap for  $\varnothing 89$  mm

Outrigger arm for the installation of one floodlight at BEGA steel poles or on walls  
**70 391** Outrigger arm

Pole caps for mounting 1-2 outrigger arms on top of a steel pole

**70 387** Pole cap for pole  $\varnothing 76$  mm

**70 388** Pole cap for pole  $\varnothing 89$  mm

Pole top attachments for multi-arrangement of floodlights on a steel pole

**70 762** Pole top attach. for 2 floodlights

**70 763** Pole top attach. for 3 floodlights

**70 764** Pole top attach. for 4 floodlights

Cross beams for floodlights for mounting on walls, under ceilings or on the floor

**70 761** Cross beam for 3 floodlights

**70 765** Cross beam for 6 floodlights

**71 071** Fixing of floodlight

**71 110** Shield

The shield can be screwed on and prevents lateral glare from one direction up to an angle of  $45^{\circ}$ .

For the accessories a separate instructions for use can be provided upon request.