

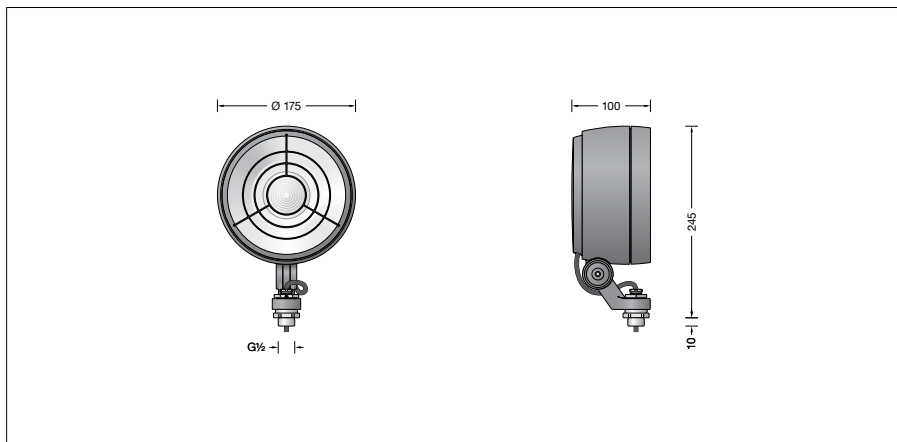
**BEGA****84 526**

Performance floodlight



Project · Reference number

Date





## Product data sheet

### Application

LED performance floodlight with G $\frac{1}{2}$  mounting bush in compact design.

The floodlight can be bolted together with any female thread G $\frac{1}{2}$  according to ISO 228 supplied by others or to BEGA accessories. For a variety of interior and exterior lighting applications.

### Product description

Luminaire made of aluminium alloy, aluminium and stainless steel  
 Clear safety glass  
 Silicone gasket  
 Reflector surface made of pure aluminium  
 Optical silicone lens  
 Inside louvre  
 made of glass-fibre reinforced polyamide  
 Rotation range of floodlight 350°  
 Swivel range -30°/+140°  
 Mounting bracket with G $\frac{1}{2}$  threaded connection  
 Thread length: 10 mm  
 Connecting cable X05BQ-F 5 G 1 $\square$   
 Cable length 1 m  
 LED power supply unit  
 220-240 V  $\sim$  0/50-60 Hz  
 DC 176-264 V  
 During DC operation the LED power is reduced to 50 %  
 DALI controllable  
 A basic isolation exists between power cable and control line  
 Safety class I  
 Protection class IP 65  
 Dust-tight and protection against water jets  
 Impact strength IK09  
 Protection against mechanical impacts < 10 joule  
 – Safety mark  
 – Conformity mark  
 Wind catching area: 0.025 m $^2$   
 Weight: 2.4 kg

### Lamp

Module connected wattage	38.1 W
Luminaire connected wattage	42.5 W
Rated temperature	$t_a = 25 \text{ }^\circ\text{C}$
Ambient temperature	$t_{a, \text{max}} = 25 \text{ }^\circ\text{C}$

On request we can offer you modifications for environments with higher temperatures as a customized product.

### 84 526 K4

Module designation	LED-0779/940
Colour temperature	4000 K
Colour rendering index	CRI > 90
Module luminous flux	4760 lm
Luminaire luminous flux	2044 lm
Luminaire luminous efficiency	48,1 lm/W

### 84 526 K3

Module designation	LED-0779/930
Colour temperature	3000 K
Colour rendering index	CRI > 90
Module luminous flux	4565 lm
Luminaire luminous flux	1960 lm
Luminaire luminous efficiency	46,1 lm/W

### Service life of the LED

max. ambient temperature  $t_a = 25 \text{ }^\circ\text{C}$   
 – at 170,000 h: L70 B50

### Inrush current

Inrush current: 5 A / 100  $\mu\text{s}$   
 Maximum number of luminaires of this type per miniature circuit breaker:  
 B 10A: 27 luminaires  
 B 16A: 44 luminaires  
 C 10A: 27 luminaires  
 C 16A: 44 luminaires

### Light technique

Floodlight with narrow beam rotationally symmetrical light distribution with integrated louvre for stray light suppression.

Half beam angle 10°

For special lighting tasks the symmetrical light cone can be changed to a flat beam light distribution by an additional the diffuser lens. Luminaire data for the light planning program DIALux for outdoor lighting, street lighting and indoor lighting, as well as luminaire data in EULUMDAT and IES format are available on the BEGA website at [www.bega.com](http://www.bega.com).

### Article No. 84 526

LED colour temperature optionally 4000 K or 3000 K  
 4000 K – Article number + **K4**  
 3000 K – Article number + **K3**

Colour graphite or silver  
 graphite – article number  
 silver – article number + **A**

### Accessories

**71 113** Exchangeable lens flat beam  
**71 111** Shield

**70 214** Pole cap for pole  $\varnothing$  48 mm  
**70 248** Pole cap for pole  $\varnothing$  60 mm  
**70 245** Mounting box  
**70 252** Tree screw  
**70 280** Tube clamp G $\frac{1}{2}$   
**70 283** Screw clamp  
**70 379** Outrigger arm G $\frac{1}{2}$   
**70 889** Tension belt  
**71 042** Adapter for mounting on a pole

For the accessories a separate instructions for use can be provided upon request.

### Light distribution

