

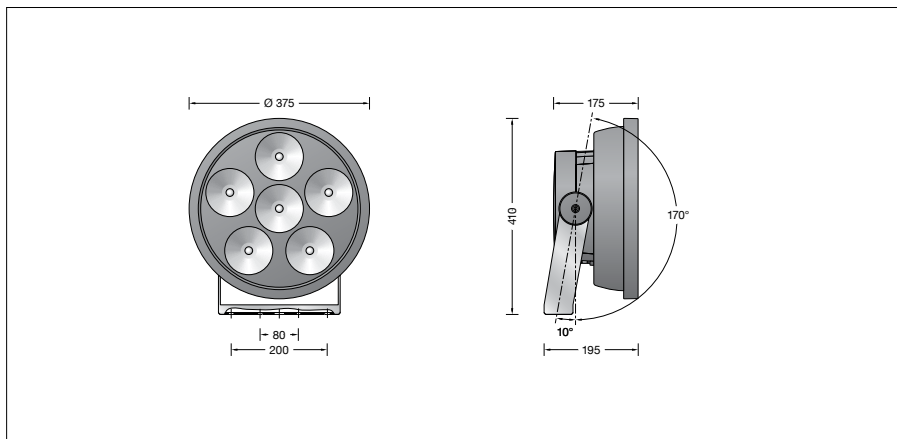
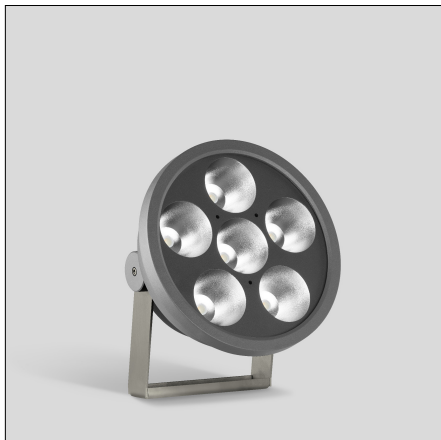
BEGA**84 524**

High-performance floodlight RGBW



Project · Reference number

Date



Product data sheet

Application

LED high-performance floodlight with narrow beam light distribution for additive colour mixing RGBW.

The floodlight can be controlled by DALI colour light control (DT8, RGBWAF, xy).

We recommend our BEGA Control system for this purpose.

For a variety of interior and exterior lighting applications.

Product description

Floodlight made of aluminium alloy, aluminium and stainless steel

Clear safety glass

Silicone gasket

Reflector surface made of pure aluminium

Swivel range $-10^{\circ}/+170^{\circ}$

Mounting bracket made of stainless steel

Steel grade no. 1.4301 with

1 central drilling \varnothing 22 mm and

2 fixing holes \varnothing 9 mm · 80 mm spacing

2 fixing holes \varnothing 11.5 mm · 200 mm spacing

1 screw cable gland for mains supply cable from \varnothing 7,5-15 mm

Integrated changeover switch for the limitation of the luminous flux to 70 % · 50 % · 30 %

LED power supply unit

220-240 V \sim 0/50-60 Hz

DC 176-264 V

DALI controllable

A basic isolation exists between power cable and control line

Safety class I

Protection class IP 67

Dust-tight and protection against temporary immersion

Impact strength IK10

Protection against mechanical

impacts < 20 joule

– Safety mark

– Conformity mark

Wind catching area: 0.12 m²

Weight: 11.0 kg

Lamp

Module connected wattage 120 W

Luminaire connected wattage 132 W

Rated temperature $t_a = 25^{\circ}\text{C}$

Ambient temperature $t_{a,max} = 35^{\circ}\text{C}$

Module designation 6x LED-0869/RGBW

Luminaire luminous flux 8342 lm

Luminaire luminous efficiency 63,2 lm/W

Service life of the LED

Ambient temperature $t_a = 25^{\circ}\text{C}$

– at 280,000 h: L70 B50

max. ambient temperature $t_a = 35^{\circ}\text{C}$

– at 230,000 h: L70 B50

Lighting technology

Symmetrical narrow beam light distribution.

Half beam angle 17°

Luminaire data for the light planning program

DIALux for outdoor lighting, street lighting and

indoor lighting, as well as luminaire data in

EULUMDAT and IES format are available on the BEGA website at www.bega.com.

Accessories

Mounting box and mounting base for permanent mounting of floodlights on pillars, walls and ceilings

70 225 Mounting box IP 65

70 348 Mounting box IP 55

70 208 Mounting base h = 120 mm

Pole caps for mounting a floodlight on a pole

70 342 Pole cap for \varnothing 76 mm

70 343 Pole cap for \varnothing 89 mm

Outrigger arm for the installation of one floodlight at BEGA steel poles or on walls

70 391 Outrigger arm

Pole caps for mounting 1-2 outrigger arms on top of a steel pole

70 387 Pole cap for pole \varnothing 76 mm

70 388 Pole cap for pole \varnothing 89 mm

Pole top attachments for multi-arrangement of floodlights on a steel pole

70 762 Pole top attach. for 2 floodlights

70 763 Pole top attach. for 3 floodlights

70 764 Pole top attach. for 4 floodlights

Cross beams for floodlights for mounting on walls, under ceilings or on the floor

70 761 Cross beam for 3 floodlights

70 765 Cross beam for 6 floodlights

71 071 Fixing of floodlight

71 110 Shield

The shield can be screwed on and prevents lateral glare from one direction up to an angle of 45° .

71 109 Louvre

The internal louvre prevents looking from a lateral angle up to 45° into the luminaire from all directions.

For the accessories a separate instructions for use can be provided upon request.