

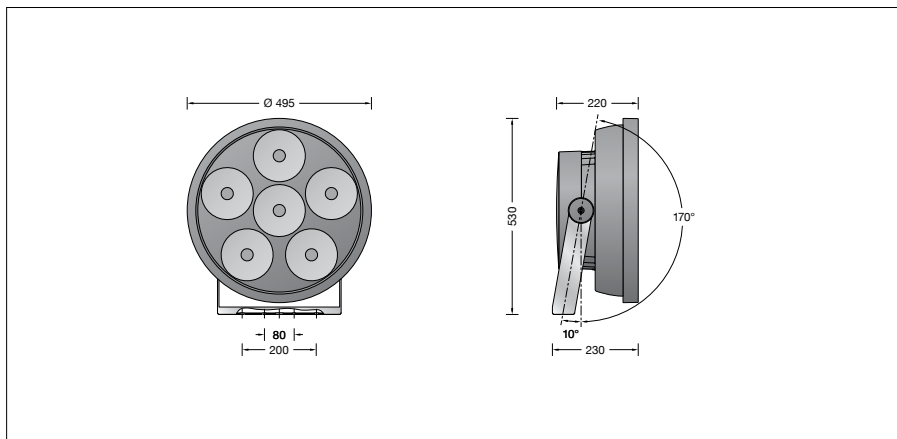
**BEGA****84 522**

High-performance floodlight



Project · Reference number

Date



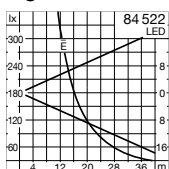
## Product data sheet

**Application**

LED high-performance floodlight with wide beam light distribution. For a variety of interior and exterior lighting applications.

**Product description**

Floodlight made of aluminium alloy, aluminium and stainless steel  
 BEGA Unidure® coating technology  
 Clear safety glass  
 Silicone gasket  
 Reflector surface made of pure aluminium  
 Swivel range  $-10^{\circ}/+170^{\circ}$   
 Mounting bracket made of stainless steel  
 Steel grade no. 1.4301 with  
 1 central drilling  $\varnothing$  22 mm and  
 2 fixing holes  $\varnothing$  9 mm · 80 mm spacing  
 2 fixing holes  $\varnothing$  11.5 mm · 200 mm spacing  
 1 screw cable gland for mains supply cable from  $\varnothing$  7,5-12 mm  
 Integrated changeover switch for the limitation of the luminous flux to 70 % · 50 % · 30 %  
 LED power supply unit  
 220-240 V  $\sim$  0/50-60 Hz  
 DC 176-288 V  
 During DC operation the LED power is reduced to 50 %  
 DALI controllable  
 or dimmable 1-10 V  
 BEGA Thermal Control®  
 Temporary thermal regulation to protect temperature-sensitive components without switching off the luminaire  
 Safety class I  
 Protection class IP 67  
 Dust-tight and protection against temporary immersion  
 $\varnothing$  0.5 m  $\parallel$  minimum distance to the illuminated surface  
 Impact strength IK08  
 Protection against mechanical impacts < 5 joule  
 – Safety mark  
 – Conformity mark  
 Wind catching area: 0.2 m<sup>2</sup>  
 Weight: 20.7 kg

**Light distribution****Lamp**

Module connected wattage 303 W  
 Luminaire connected wattage 326 W  
 Rated temperature  $t_a = 25^{\circ}\text{C}$   
 Ambient temperature  $t_{a\text{max}} = 30^{\circ}\text{C}$

On request we can offer you modifications for environments with higher temperatures as a customized product.

**84 522 K4**

Module designation 6x LED-0688/840  
 Colour temperature 4000 K  
 Colour rendering index CRI > 80  
 Module luminous flux 55050 lm  
 Luminaire luminous flux 42233 lm  
 Luminaire luminous efficiency 129,5 lm/W

**84 522 K3**

Module designation 6x LED-0688/830  
 Colour temperature 3000 K  
 Colour rendering index CRI > 80  
 Module luminous flux 53640 lm  
 Luminaire luminous flux 41151 lm  
 Luminaire luminous efficiency 126,2 lm/W

**84 522 K2**

Module designation 6x LED-0688/622  
 Colour temperature 2200 K  
 Colour rendering index CRI > 60  
 Module luminous flux 51750 lm  
 Luminaire luminous flux 39701 lm  
 Luminaire luminous efficiency 121,8 lm/W

**Service life of the LED**

Ambient temperature  $t_a = 25^{\circ}\text{C}$   
 – at 190,000h: L70B50

max. ambient temperature  $t_a = 30^{\circ}\text{C}$   
 – at 180,000h: L70B50

**Light technique**

Symmetrical wide beam light distribution  
 Half beam angle  $48^{\circ}$   
 Luminaire data for the light planning program DIALux for outdoor lighting, street lighting and indoor lighting, as well as luminaire data in EULUMDAT and IES format are available on the BEGA website at [www.bega.com](http://www.bega.com).

**Inrush current**

Inrush current: 21 A / 1,900  $\mu\text{s}$   
 Maximum number of luminaires of this type per miniature circuit breaker:  
 B 10A: 3 luminaires  
 B 16A: 5 luminaires  
 C 10A: 6 luminaires  
 C 16A: 8 luminaires

**Article No. 84 522**

Colour temperature 4000 K.  
 Also available with 3000 K or 2200K on request.  
 4000 K – article number + **K4**  
 3000 K – article number + **K3**  
 2200 K – article number + **K2**

**Accessories**

Mounting box and mounting base for permanent mounting of floodlights on pillars, walls and ceilings

**70 225** Mounting box IP 65  
**70 348** Mounting box IP 55  
**70 208** Mounting base h = 120 mm

Pole caps for mounting a floodlight on a pole

**70 342** Pole cap for  $\varnothing$  76 mm  
**70 343** Pole cap for  $\varnothing$  89 mm

Outrigger arm for the installation of one floodlight at BEGA steel poles or on walls  
**70 391** Outrigger arm

Pole caps for mounting 1-2 outrigger arms on top of a steel pole

**70 387** Pole cap for pole  $\varnothing$  76 mm  
**70 388** Pole cap for pole  $\varnothing$  89 mm

Pole top attachments for multi-arrangement of floodlights on a steel pole

**70 762** Pole top attach. for 2 floodlights  
**70 763** Pole top attach. for 3 floodlights  
**70 764** Pole top attach. for 4 floodlights

Cross beams for floodlights for mounting on walls, under ceilings or on the floor

**70 761** Cross beam for 3 floodlights  
**70 765** Cross beam for 6 floodlights

**71 071** Fixing of floodlight

**71 101** Shield

The shield can be screwed on and prevents lateral glare from one direction up to an angle of  $45^{\circ}$ .

For the accessories a separate instructions for use can be provided upon request.