

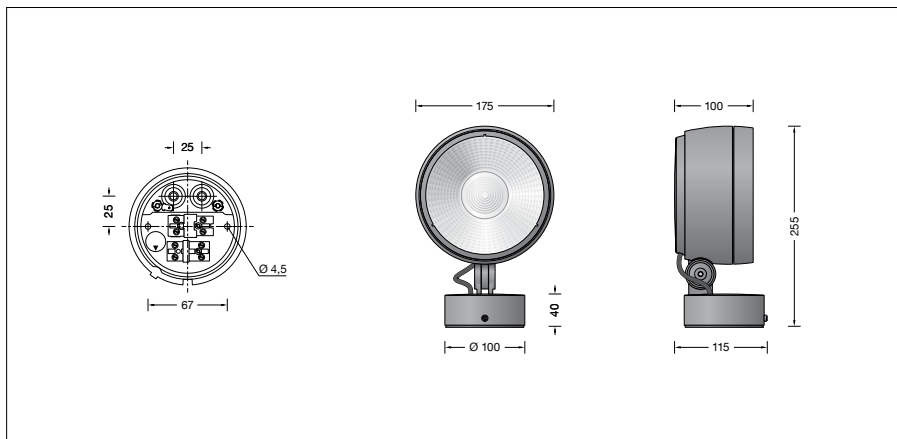
BEGA**84 506**

Performance floodlight



Project · Reference number

Date



Product data sheet

Application

LED performance floodlight with mounting box in compact design.

The used LED technique offers durability and optimal light output with low power consumption at the same time.

Product description

Luminaire made of aluminium alloy, aluminium and stainless steel

Clear safety glass

Silicone gasket

Optical silicone lens

Reflector surface made of pure aluminium

Rotation range of floodlight 350°

Swivel range -15°/+90°

Mounting box with 2 fixing holes

ø 4.5 mm · 67 mm spacing

2 cable entries for through-wiring of mains supply cable ø 7-10,5 mm, max. 5 G 1.5[□]

Connecting terminal 2.5[□]

with plug connection

Earth conductor connection

LED power supply unit

220-240 V ~ 0/50-60 Hz

DC 176-264 V

DALI controllable

A basic isolation exists between power cable and control line

Safety class I

Protection class IP 65

Dust-tight and protection against water jets

Impact strength IK09

Protection against mechanical

impacts < 10 joule

– Safety mark

CE – Conformity mark

Wind catching area: 0.03 m²

Weight: 2.4 kg

Lamp

Module connected wattage 37.5 W

Luminaire connected wattage 42 W

Rated temperature $t_a = 25\text{ °C}$

Ambient temperature $t_{a,max} = 30\text{ °C}$

On request we can offer you modifications for environments with higher temperatures as a customized product.

84 506 K4

Module designation LED-0780/940

Colour temperature 4000 K

Colour rendering index CRI > 90

Module luminous flux 5060 lm

Luminaire luminous flux 3916 lm

Luminaire luminous efficiency 93,2 lm/W

84 506 K3

Module designation LED-0780/930

Colour temperature 3000 K

Colour rendering index CRI > 90

Module luminous flux 4910 lm

Luminaire luminous flux 3800 lm

Luminaire luminous efficiency 90,5 lm/W

Lifetime of the LED

Ambient temperature $t_a = 15\text{ °C}$

– at 50,000 h: L90 B50

– at 320,000 h: L70 B50

Ambient temperature $t_a = 25\text{ °C}$

– at 50,000 h: L80 B10

– at 240,000 h: L70 B50

max. ambient temperature $t_a = 30\text{ °C}$

– at 50,000 h: L80 B10

– at 220,000 h: L70 B50

Inrush current

Inrush current: 5 A / 100 μs

Maximum number of luminaires of this type per miniature circuit breaker:

B 10A: 27 luminaires

B 16A: 44 luminaires

C 10A: 27 luminaires

C 16A: 44 luminaires

Light technique

Symmetrical wide beam light distribution.

Half beam angle 58°

By changing the diffuser lense it is possible to alter the symmetrical light distribution into a flat beam light distribution.

Luminaire data for the light planning program DIALux for outdoor lighting, street lighting and interior lighting as well as luminaire data in EULUMDAT and IES format are available on the BEGA website www.bega.com.

Article No. 84 506

LED colour temperature optionally 4000 K or 3000 K

4000 K – Article number + **K4**

3000 K – Article number + **K3**

Colour graphite or silver

graphite – article number

silver – article number + **A**

Accessories

71 111 Shield

71 113 Exchangeable lens flat beam

For the accessories a separate instructions for use can be provided upon request.

Light distribution

