

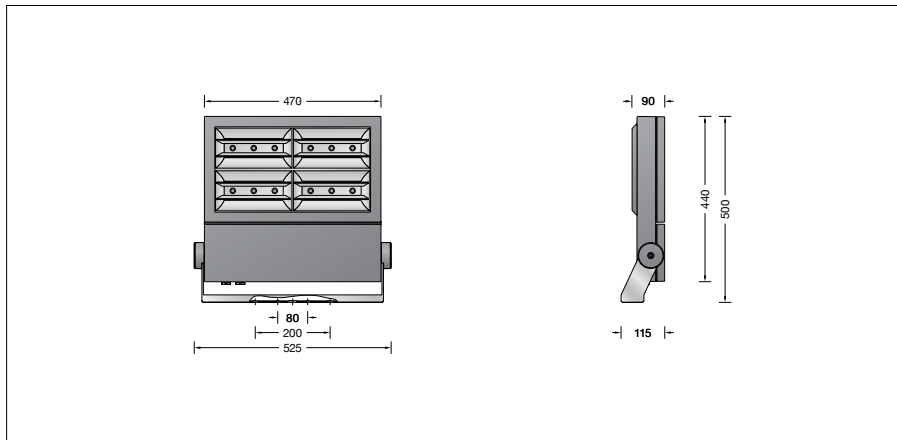
BEGA**84 502**

Floodlight



Project · Reference number

Date



Product data sheet

Application

LED high-performance floodlight with flat beam light distribution.

Product description

Floodlight made of aluminium alloy, aluminium and stainless steel
 Safety glass with optical structure
 Silicone gasket
 Reflector made of pure anodised aluminium
 Swivel range 180°
 Mounting bracket made of stainless steel
 Steel grade no. 1.4301 with
 1 central drilling \varnothing 22 mm and
 2 fixing holes \varnothing 9 mm · 80 mm spacing
 2 fixing holes \varnothing 11.5 mm · 200 mm spacing
 2 screw cable glands with strain relief for through-wiring of the mains supply cable from \varnothing 7,5-15 mm
 1 screw cable gland closed at the factory with a dummy plug
 Connecting terminal and earth conductor terminal 2.5[□]
 Integrated changeover switch for the manual limitation of the luminous flux or power reduction via connected control cable with three adjustable outputs of 70 % · 50 % · 30 %
 LED power supply unit
 220-240 V \sim 0/50-60 Hz
 DC 176-264 V
 DC Start \geq 198 V
 During DC operation the LED power is reduced to 50 %
 DALI controllable or dimmable 1-10 V
 Safety class I
 Protection class IP 67
 Dust-tight and protection against temporary immersion
 Impact strength IK08
 Protection against mechanical impacts < 5 joule
 - Safety mark
 - Conformity mark
 Wind catching area: 0.21 m²
 Weight: 16.0 kg

Lamps

Module connected wattage 174 W
 Luminaire connected wattage 195 W
 Rated temperature $t_a = 25$ °C
 Ambient temperature $t_{a \max} = 40$ °C
 If the power is reduced, the maximum ambient temperature will increase to min. 55°C.

84 502 K4

Module designation 4x LED-0705/840
 Colour temperature 4000 K
 Colour rendering index CRI > 80
 Module luminous flux 26560 lm
 Luminaire luminous flux 19468 lm
 Luminaire luminous efficiency 99,8 lm/W

84 502 K3

Module designation 4x LED-0705/830
 Colour temperature 3000 K
 Colour rendering index CRI > 80
 Module luminous flux 25740 lm
 Luminaire luminous flux 18867 lm
 Luminaire luminous efficiency 96,8 lm/W

84 502 K2

Module designation 4x LED-0705/622
 Colour temperature 2200 K
 Colour rendering index CRI > 60
 Module luminous flux 25020 lm
 Luminaire luminous flux 18339 lm
 Luminaire luminous efficiency 94 lm/W

Service life of the LED

Ambient temperature $t_a = 25$ °C
 – at 240,000h: L70B50

max. ambient temperature $t_a = 40$ °C
 – at 180,000h: L70B50

Light technique

Floodlight with flat beam light distribution.
 Half beam angle 26/72°
 Luminaire data for the light planning program DIALux for outdoor lighting, street lighting and indoor lighting, as well as luminaire data in EULUMDAT and IES format are available on the BEGA website at www.bega.com.

Article No. 84 502

Colour temperature 4000 K.
 Also available with 3000 K or 2200K on request.
 4000 K – article number + **K4**
 3000 K – article number + **K3**
 2200 K – article number + **K2**

Accessories

Mounting box and mounting base for permanent mounting of floodlights on pillars, walls and ceilings

70 225 Mounting box IP 65
70 348 Mounting box IP 55
70 208 Mounting base h = 120 mm

Pole caps for mounting a floodlight on a pole

70 342 Pole cap for \varnothing 76 mm
70 343 Pole cap for \varnothing 89 mm

Pole caps for mounting 1-2 outrigger arms on top of a steel pole

70 387 Pole cap for pole \varnothing 76 mm
70 388 Pole cap for pole \varnothing 89 mm

Cross beams for floodlights for mounting on walls, under ceilings or on the floor

70 761 Cross beam for 3 floodlights

71 108 Shield

The shield can be screwed on and prevents lateral glare from one direction up to an angle of 45°.

71 106 Louvre

The internal louvre prevents looking from a lateral angle up to 45° into the luminaire from all directions.

For the accessories a separate instructions for use can be provided upon request.

Light distribution