

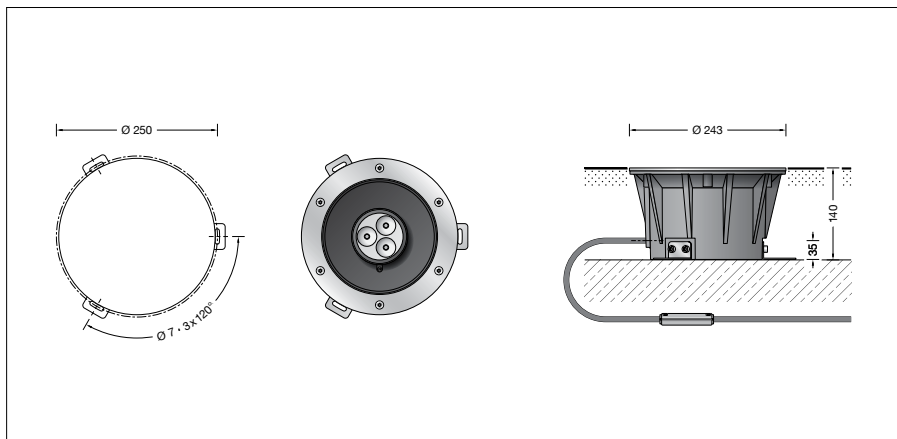
**BEGA****84 453**

In-ground luminaire



Project · Reference number

Date



## Product data sheet

**Application**

In-ground LED floodlight with swivel-mounted and rotatable optical system. Adjustable tilt angle of the reflector allows optionally a symmetrical or asymmetrical light distribution. Floodlight with low installation depth for flush-mounting installation in compacted surfaces, paths and floors. Drive-over luminaire for vehicles with pneumatic tyres.

**Please note:**

Luminaire must not be used for installation in road lanes, where the fixture is exposed to a horizontal strain due to braking, acceleration and change of direction.

For walk-through public areas, we recommend skid-blocking glass – see accessories.

**Product description**

Luminaire housing made of glass-fibre reinforced synthetic  
Cover ring made of stainless steel  
Steel grade no. 1.4301  
Clear safety glass  
Silicone gasket  
Reflector made of pure anodised aluminium  
1,8 m water-resistant connecting cable  
07RN8-F 5G 1<sup>□</sup> with implemented water stopper and 1.2 m PVC cable conduit  
LED power supply unit  
220-240 V ~ 0/50-60 Hz  
DC 176-276 V  
DALI controllable  
A basic isolation exists between power cable and control line  
Safety class I  
Protection class IP 67  
Dust-tight and protection against temporary immersion  
Pressure load 3,000 kg (29 kN)  
Impact strength IK10  
Protection against mechanical impacts < 20 joule  
Maximum surface temperature 20 °C (measured according to EN 60598 of  $t_a = 15$  °C)

CE – Conformity mark

– Safety mark

Weight: 4.6 kg

**Lamp**

Module connected wattage 5.7 W  
Luminaire connected wattage 7 W  
Rated temperature  $t_a = 25$  °C  
Ambient temperature  $t_{a\max} = 55$  °C

**84 453 K4**

Module designation LED-0438/840  
Colour temperature 4000 K  
Colour rendering index CRI > 80  
Module luminous flux 1005 lm  
Luminaire luminous flux 520 lm  
Luminaire luminous efficiency 74,3 lm/W

**84 453 R K4**

Module designation LED-0438/840  
Colour temperature 4000 K  
Colour rendering index CRI > 80  
Module luminous flux 1005 lm  
Luminaire luminous flux 461 lm  
Luminaire luminous efficiency 65,9 lm/W

**84 453 K3**

Module designation LED-0438/830  
Colour temperature 3000 K  
Colour rendering index CRI > 80  
Module luminous flux 915 lm  
Luminaire luminous flux 473 lm  
Luminaire luminous efficiency 67,6 lm/W

**84 453 R K3**

Module designation LED-0438/830  
Colour temperature 3000 K  
Colour rendering index CRI > 80  
Module luminous flux 915 lm  
Luminaire luminous flux 442 lm  
Luminaire luminous efficiency 63,1 lm/W

**Service life of the LED**

Ambient temperature  $t_a = 25$  °C  
– at 200,000h: L70B50

max. ambient temperature  $t_a = 55$  °C  
– at 200,000h: L70B50

**Inrush current**

Inrush current: 12 A / 24.2  $\mu$ s  
Maximum number of luminaires of this type per miniature circuit breaker:  
B 10A: 50 luminaires  
B 16A: 50 luminaires  
C 10A: 50 luminaires  
C 16A: 50 luminaires

**Lighting technology**

Half beam angle 16°  
Luminaire data for the light planning program DIALux for outdoor lighting, street lighting and interior lighting as well as luminaire data in EULUMDAT and IES format are available on our website [www.bega.com](http://www.bega.com).

**Article No. 84 453**

LED colour temperature optionally 4000 K or 3000 K  
4000 K – Article number + **K4**  
3000 K – Article number + **K3**

We supply this luminaire with skid-blocking glass which is denoted by **R** after the article number.

**Accessories**

**14000829R** Skid-blocking glass  
BEGA skid-blocking glass with the highest rating R 13 according to DIN 51130 can be used without restriction for all public areas.  
Abrasion resistance according to EN ISO 10545-7 Class 3

**10 043** Exchangeable lens wide beam

**10 014** Exchangeable lens flat beam

Distribution box for installation in soil  
**70 730** Distribution box with 7 cable entries  
Connection terminals 5 x 4<sup>□</sup>

**71 053** Distribution box with 10 cable entries  
Connection terminals 6 x 16<sup>□</sup>

For the accessories a separate instructions for use can be provided upon request.

**Light distribution**