

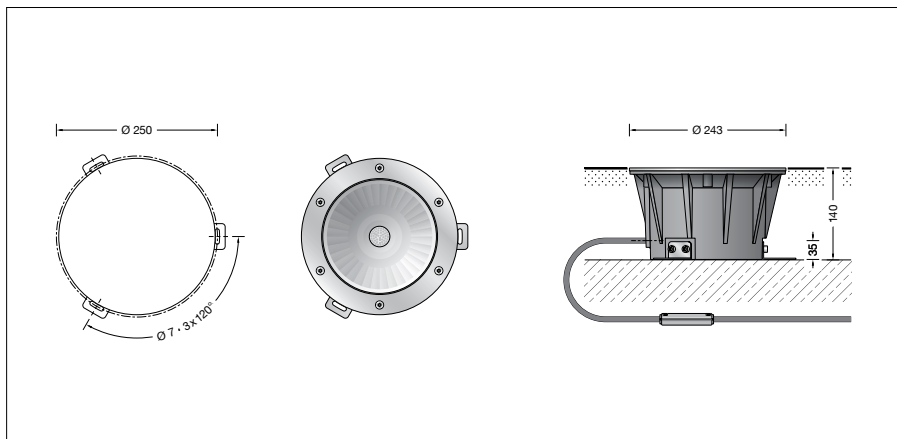
BEGA**84 451**

In-ground luminaire



Project · Reference number

Date



Product data sheet

Application

LED floodlight with symmetrical light distribution for flush-mounting installation in compacted surfaces, paths and open areas. Drive-over luminaire for vehicles with pneumatic tyres.

Please note:

Luminaire must not be used for installation in road lanes, where the fixture is exposed to a horizontal strain due to braking, acceleration and change of direction.

For walk-through public areas, we recommend skid-blocking glass – see accessories.

Product description

Luminaire housing made of glass-fibre reinforced synthetic
 Cover ring made of stainless steel
 Steel grade no. 1.4301
 Clear safety glass
 Silicone gasket
 Reflector made of pure anodised aluminium
 1,8 m water-resistant connecting cable
 07RN8-F 5G 1[□] with implemented water stopper and 1.2 m PVC cable conduit
 LED power supply unit
 220-240 V ~ 0/50-60 Hz
 DC 176-276 V
 DALI controllable
 A basic isolation exists between power cable and control line
 Safety class I
 Protection class IP 67
 Dust-tight and protection against temporary immersion
 Pressure load 3,000 kg (~30 kN)
 Impact strength IK10
 Protection against mechanical impacts < 20 joule
 Maximum surface temperature 25 °C (measured according to EN 60598 of ta 15 °C)
 CE – Conformity mark
 – Safety mark
 Weight: 4.4 kg

Lamp

Module connected wattage 13.7 W
 Luminaire connected wattage 16.3 W
 Rated temperature $t_a = 25 \text{ °C}$
 Ambient temperature $t_{a \text{ max}} = 40 \text{ °C}$

On request we can offer you modifications for environments with higher temperatures as a customized product.

84 451 K4

Module designation LED-0341/840
 Colour temperature 4000 K
 Colour rendering index CRI > 80
 Module luminous flux 2670 lm
 Luminaire luminous flux 2081 lm
 Luminaire luminous efficiency 127,7 lm/W

84 451 R K4

Module designation LED-0341/840
 Colour temperature 4000 K
 Colour rendering index CRI > 80
 Module luminous flux 2670 lm
 Luminaire luminous flux 1649 lm
 Luminaire luminous efficiency 101,2 lm/W

84 451 K3

Module designation LED-0341/830
 Colour temperature 3000 K
 Colour rendering index CRI > 80
 Module luminous flux 2600 lm
 Luminaire luminous flux 2026 lm
 Luminaire luminous efficiency 124,3 lm/W

84 451 R K3

Module designation LED-0341/830
 Colour temperature 3000 K
 Colour rendering index CRI > 80
 Module luminous flux 2600 lm
 Luminaire luminous flux 1609 lm
 Luminaire luminous efficiency 98,7 lm/W

Service life of the LED

Ambient temperature $t_a = 25 \text{ °C}$
 – at 465,000 h: L70 B50

max. ambient temperature $t_a = 40 \text{ °C}$
 – at 182,000 h: L70 B50

Inrush current

Inrush current: 12 A / 24.2 μs
 Maximum number of luminaires of this type per miniature circuit breaker:
 B 10A: 50 luminaires
 B 16A: 50 luminaires
 C 10A: 50 luminaires
 C 16A: 50 luminaires

Lighting technology

Half beam angle 20°
 Luminaire data for the light planning program DIALux for outdoor lighting, street lighting and interior lighting as well as luminaire data in EULUMDAT and IES format are available on our website www.bega.com.

Article No. 84 451

LED colour temperature optionally 4000 K or 3000 K
 4000 K – Article number + **K4**
 3000 K – Article number + **K3**

We supply this luminaire with skid-blocking glass which is denoted by **R** after the article number.

Accessories

14000829R Skid-blocking glass
 BEGA skid-blocking glass with the highest rating R 13 according to DIN 51130 can be used without restriction for all public areas. Abrasion resistance according to EN ISO 10545-7 Class 3

Distribution box for installation in soil
70 730 Distribution box with 7 cable entries
 Connection terminals 5 x 4[□]
71 053 Distribution box with 10 cable entries
 Connection terminals 6 x 16[□]

A separate instructions for use can be provided upon request.

Light distribution