

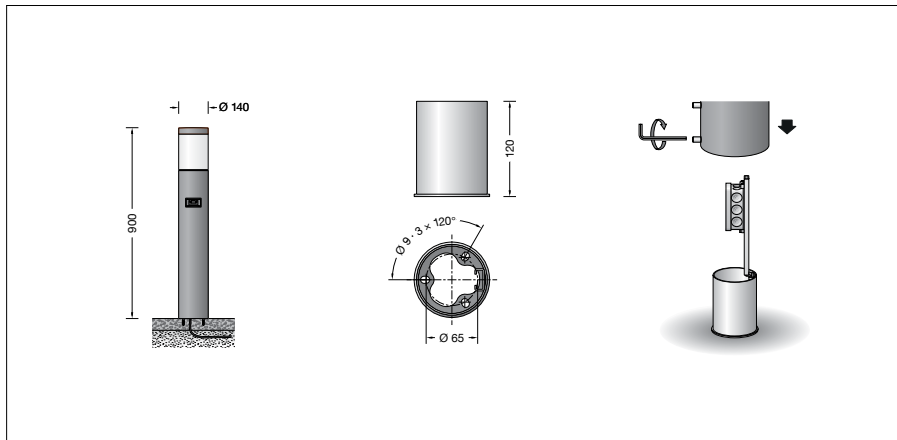
BEGA**84 422**

Garden and pathway luminaire

IP 65

Project · Reference number

Date



Product data sheet

Application

Unshielded LED garden and path luminaire with rotationally symmetrical light distribution for effective illumination in private gardens.

The integrated passive infrared motion and light sensor responds to heat radiation and activates in case of human or animal movement in the vicinity of the sensor.

Configuration is done via a smartphone using the free BEGA Tool app.

Lamp

Module connected wattage	8.2 W
Luminaire connected wattage	10.4 W
Rated temperature	$t_a = 25\text{ °C}$
Ambient temperature	$t_{a\text{ max}} = 50\text{ °C}$

84 422 K3

Module designation	LED-0292/830
Colour temperature	3000 K
Colour rendering index	CRI > 80
Module luminous flux	1125 lm
Luminaire luminous flux	728 lm
Luminaire luminous efficiency	70 lm/W

84 422 K4

Module designation	LED-0292/840
Colour temperature	4000 K
Colour rendering index	CRI > 80
Module luminous flux	1125 lm
Luminaire luminous flux	728 lm
Luminaire luminous efficiency	70 lm/W

Service life · Ambient temperature

Rated temperature $t_a = 25\text{ °C}$	
LED psu:	> 50,000 h
LED module:	> 200,000 h (L.80 B50) 100,000 h (L.90 B50)

Ambient temperature $t_{a\text{ max}} = 50\text{ °C}$ (100 %)

LED psu:	50,000 h
LED module:	94,000 h (L.80 B50) 100,000 h (L.70 B50)

Product description

Luminaire made of cast aluminium, aluminium and stainless steel
BEGA Unidure® coating technology
Opal glass with screw neck
Silicone gasket

Luminaire with mounting base made of hot-dip galvanised steel according to EN ISO 1461 for bolting onto a foundation provided by the customer or on other paved surfaces such as terraces and paving stones

Base plate with 3 fixing holes

\varnothing 9 mm · Pitch 120° · Pitch circle \varnothing 65 mm

Mounting bracket with connection box for through-wiring up to $3 \times 2,5$

Passive infrared motion sensor (PIR)

Range up to 12 m

Opening angle $120^\circ - 150^\circ$

Minimum temperature difference between moving object and environment 4 °C

Object speed 1 m/s

Adjustable sensitivity of the motion sensor (inertia)

Shut-down delay adjustable between 5 s and 240 min

Light sensor: adjustable value range from darkness to daylight

Fixed hysteresis for suppression of rapid brightness fluctuations

Transmission frequency range:

2400 - 2483.5 MHz

Maximum transmission output: 10 mW

Luminaire switchable via relay output (on/off)

Relay contact with a switching capacity of 2300 W · 10 A

Relay contact with a switching capacity of 2300 W · 10 A

Please note the starting current of the switching loads – max. 100 A

Ambient temperature: -25 °C to $+55\text{ °C}$

LED power supply unit

Starting current: 20 A (80 μ s)

220-240 V \sim 50-60 Hz

Safety class I

Protection class IP 65

Dust-tight and protection against water jets

Impact strength IK04

Protection against mechanical impacts < 0.5 joule

CE – Conformity mark

Weight: 6.1 kg

Inrush current

Inrush current: 20 A / 80 μ s

Maximum number of luminaires of this type per miniature circuit breaker:

B 10A: 35 luminaires

B 16A: 56 luminaires

C 10A: 58 luminaires

C 16A: 94 luminaires

Light technique

Luminaire data for the light planning program DIALux for outdoor lighting, street lighting and indoor lighting as well as luminaire data in EULUMDAT- and IES-format you will find on the BEGA web page www.bega.com.

Recommended light point interval 9 m.

Article No. 84 422

LED colour temperature optionally 3000 K or 4000 K

3000 K – Article number + **K3**

4000 K – Article number + **K4**

Colour graphite or silver

graphite – article number + **A**

silver – article number + **A**

Light distribution