

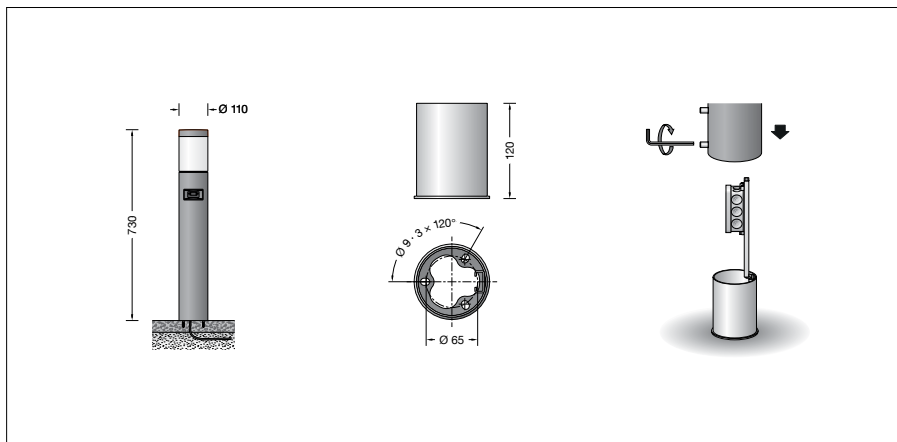
**BEGA****84 421**

Garden and pathway luminaire

IP 65

Project · Reference number

Date



## Product data sheet

**Application**

Unshielded LED garden and path luminaire with rotationally symmetrical light distribution for effective illumination in private gardens. The integrated passive infrared motion and light sensor responds to heat radiation and activates in case of human or animal movement in the vicinity of the sensor. Configuration is done via a smartphone using the free BEGA Tool app.

**Lamp**

Module connected wattage	3.9 W
Luminaire connected wattage	5.4 W
Rated temperature	$t_a = 25\text{ °C}$
Ambient temperature	$t_{a\text{ max}} = 50\text{ °C}$

**84 421 K3**

Module designation	LED-0265/830
Colour temperature	3000 K
Colour rendering index	CRI > 80
Module luminous flux	750 lm
Luminaire luminous flux	463 lm
Luminaire luminous efficiency	85,7 lm/W

**84 421 K4**

Module designation	LED-0265/840
Colour temperature	4000 K
Colour rendering index	CRI > 80
Module luminous flux	770 lm
Luminaire luminous flux	475 lm
Luminaire luminous efficiency	88 lm/W

**Service life · Ambient temperature**

Rated temperature $t_a = 25\text{ °C}$	
LED psu:	> 50,000 h
LED module:	> 200,000 h (L.80 B.50)
	100,000 h (L.90 B.50)

Ambient temperature  $t_{a\text{ max}} = 50\text{ °C}$  (100 %)

LED psu:	50,000 h
LED module:	149,000 h (L.80 B.50)

**Product description**

Luminaire made of cast aluminium, aluminium and stainless steel  
 BEGA Unidure® coating technology  
 Opal glass with screw neck  
 Silicone gasket  
 Luminaire with mounting base made of hot-dip galvanised steel according to EN ISO 1461 for bolting onto a foundation provided by the customer or on other paved surfaces such as terraces and paving stones  
 Base plate with 3 fixing holes  
 $\varnothing 9\text{ mm}$  · Pitch  $120^\circ$  · Pitch circle  $\varnothing 65\text{ mm}$   
 Mounting bracket with connection box for through-wiring up to  $3 \times 2,5\text{ mm}^2$   
 Passive infrared motion sensor (PIR)  
 Range up to 12 m  
 Opening angle  $120^\circ - 150^\circ$   
 Minimum temperature difference between moving object and environment  $4\text{ °C}$   
 Object speed 1 m/s  
 Adjustable sensitivity of the motion sensor (inertia)  
 Shut-down delay adjustable between 5 s and 240 min  
 Light sensor: adjustable value range from darkness to daylight  
 Fixed hysteresis for suppression of rapid brightness fluctuations  
 Transmission frequency range:  
 2400 - 2483,5 MHz  
 Maximum transmission output: 10 mW  
 Luminaire switchable via relay output (on/off)  
 Relay contact with a switching capacity of  $2300\text{ W} \cdot 10\text{ A}$   
 Please note the starting current of the switching loads – max. 100 A  
 Ambient temperature:  $-25\text{ °C}$  to  $+55\text{ °C}$   
 LED power supply unit  
 Starting current: 8 A (112  $\mu\text{s}$ )  
 220-240 V  $\sim$  50-60 Hz  
 Safety class I  
 Protection class IP 65  
 Dust-tight and protection against water jets  
 Impact strength IK04  
 Protection against mechanical impacts < 0.5 joule  
 CE – Conformity mark  
 Weight: 3.6 kg

**Inrush current**

Inrush current: 7 A / 112  $\mu\text{s}$   
 Maximum number of luminaires of this type per miniature circuit breaker:  
 B 10A: 38 luminaires  
 B 16A: 61 luminaires  
 C 10A: 64 luminaires  
 C 16A: 102 luminaires

**Light technique**

Luminaire data for the light planning program DIALux for outdoor lighting, street lighting and indoor lighting as well as luminaire data in EULUMDAT- and IES-format you will find on the BEGA web page [www.bega.com](http://www.bega.com). Recommended light point interval 7 m.

**Article No. 84 421**

LED colour temperature optionally 3000 K or 4000 K  
 3000 K – Article number + **K3**  
 4000 K – Article number + **K4**

Colour graphite or silver  
 graphite – article number  
 silver – article number + **A**

**Light distribution**