

BEGA**84 413**

Bollard

IP 65

Project · Reference number

Date

Product data sheet**Application**

LED bollard with single sided light output and flat beam light distribution.
The light is directed downwards and is shielded above the horizontal.
For broad spread and uniform illumination of surfaces and paths.

Product description

Luminaire made of aluminium alloy,
aluminium and stainless steel
Safety glass with optical structure
Silicone gasket
Luminaire with mounting base made of hot-dip galvanised steel according to EN ISO 1461 for bolting on a foundation or anchorage unit
Base plate with 2 elongated holes
Width 9 mm · 220 mm spacing
Connection box 71 084
for through-wiring – for 2 cables up to 7 × 6²
Fuse terminal with micro fuse
6,3 A slow ø 5 × 20 mm
LED power supply unit
220-240 V \sim 0/50-60 Hz
DC 176-280 V
DALI controllable
A basic isolation exists between power cable and control line
Safety class I
Protection class IP 65
Dust-tight and protection against water jets
CE – Conformity mark

Inrush current

Inrush current: 5 A / 50 μ s
Maximum number of luminaires of this type per miniature circuit breaker:
B 10A: 31 luminaires
B 16A: 50 luminaires
C 10A: 52 luminaires
C 16A: 85 luminaires

Lamp

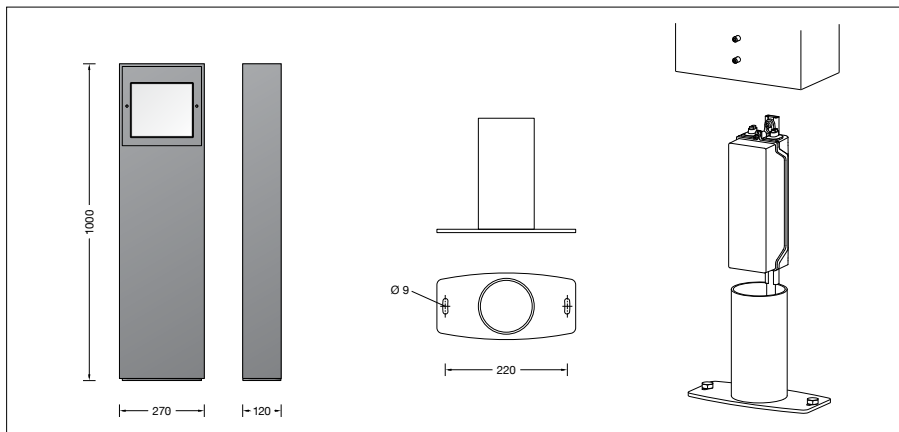
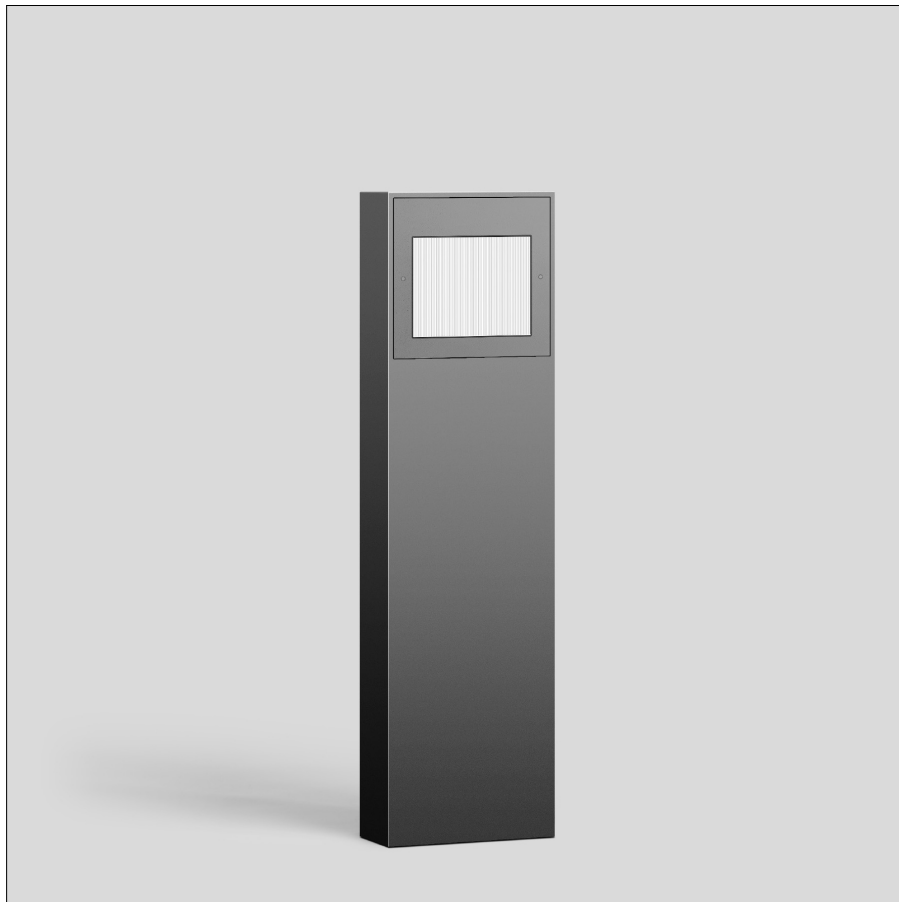
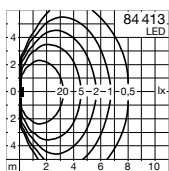
Module connected wattage	11.6 W
Luminaire connected wattage	13.5 W
Rated temperature	$t_a = 25$ °C
Service life criteria	50 000 h / L ₇₀

84 413 K3

Module designation	LED-0758/830
Colour temperature	3000 K
Colour rendering index	CRI > 80
Module luminous flux	2255 lm
Luminaire luminous flux	1713 lm
Luminaire luminous efficiency	126,9 lm/W

84 413 K4

Module designation	LED-0758/840
Colour temperature	4000 K
Colour rendering index	CRI > 80
Module luminous flux	2320 lm
Luminaire luminous flux	1763 lm
Luminaire luminous efficiency	130,6 lm/W

Light distribution**Light technique**

Luminaire data for the light planning program DIALux for outdoor lighting, street lighting and indoor lighting as well as luminaire data in EULUMDAT- and IES-format you will find on the BEGA web page www.bega.com.

Article No. 84 413

LED colour temperature optionally 3000 K or 4000 K
3000 K – Article number + **K3**
4000 K – Article number + **K4**

Accessories

71 890 Anchorage unit
Anchorage unit with mounting flange made of galvanised steel. Total length 400 mm.
2 stainless steel fixing screws M 8.
220 mm spacing

For the accessories a separate instructions for use can be provided upon request.