

**BEGA****84 411**

Bollard

IP 65

Project · Reference number

Date

## Product data sheet

**Application**

LED bollard with single sided light output and unshielded light distribution.  
For areal illumination of pathways, access road and squares.

**Product description**

Luminaire made of aluminium alloy, aluminium and stainless steel  
Safety glass, white  
Silicone gasket  
Luminaire with mounting base made of hot-dip galvanised steel according to EN ISO 1461 for bolting on a foundation or anchorage unit  
Base plate with 2 elongated holes  
Width 9 mm · 220 mm spacing  
Connection box 71 084 for through-wiring – for 2 cables up to 7 × 6<sup>2</sup>  
Fuse terminal with micro fuse  
6,3 A slow  $\varnothing$  5 × 20 mm  
LED power supply unit  
220-240 V  $\approx$  0/50-60 Hz  
DC 176-276 V  
DALI controllable  
A basic isolation exists between power cable and control line  
Safety class I  
Protection class IP 65  
Dust-tight and protection against water jets  
CE – Conformity mark

**Inrush current**

Inrush current: 4 A / 30  $\mu$ s  
Maximum number of luminaires of this type per miniature circuit breaker:  
B10A: 50 luminaires  
B16A: 50 luminaires  
C10A: 50 luminaires  
C16A: 50 luminaires

**Lamp**

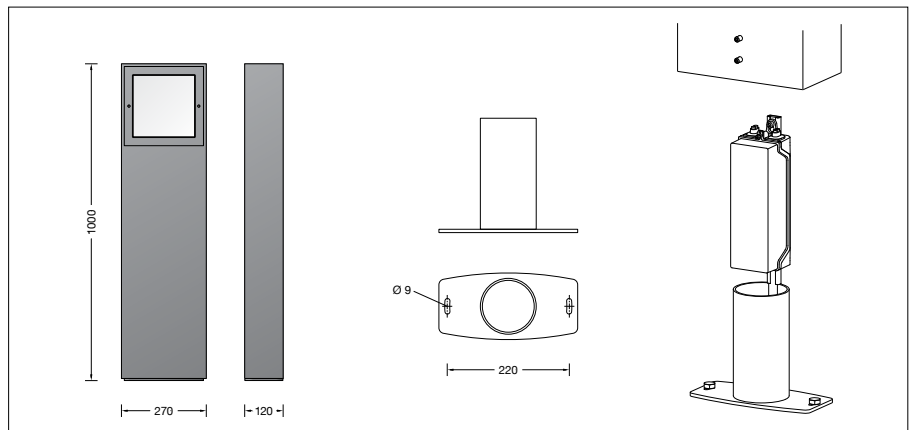
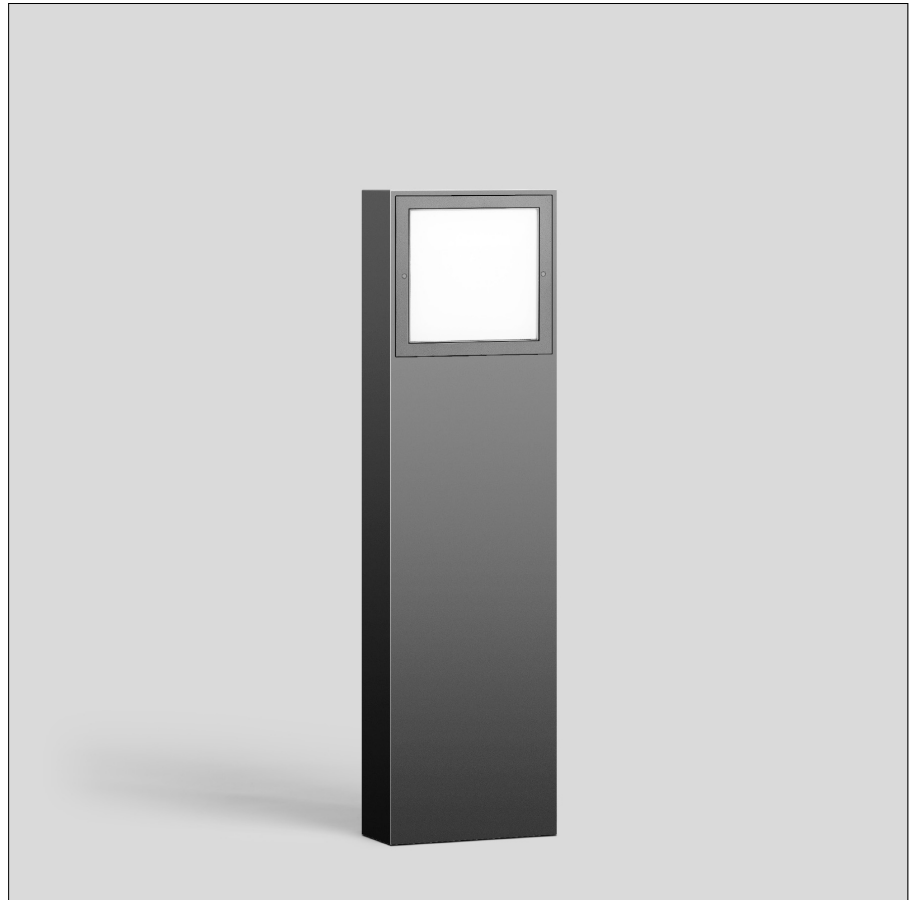
Module connected wattage 9.3 W  
Luminaire connected wattage 10.8 W  
Rated temperature  $t_a = 25$  °C  
Service life criteria 50 000 h/L<sub>70</sub>

**84 411 K3**

Module designation LED-0803/830  
Colour temperature 3000 K  
Colour rendering index CRI > 80  
Module luminous flux 1940 lm  
Luminaire luminous flux 829 lm  
Luminaire luminous efficiency 76,8 lm/W

**84 411 K4**

Module designation LED-0803/840  
Colour temperature 4000 K  
Colour rendering index CRI > 80  
Module luminous flux 1995 lm  
Luminaire luminous flux 853 lm  
Luminaire luminous efficiency 79 lm/W

**Light technique**

Luminaire data for the light planning program DIALux for outdoor lighting, street lighting and indoor lighting as well as luminaire data in EULUMDAT- and IES-format you will find on the BEGA web page [www.bega.com](http://www.bega.com).

**Article No. 84 411**

LED colour temperature optionally 3000 K or 4000 K  
3000 K – Article number + **K3**  
4000 K – Article number + **K4**

**Accessories**

**71 890** Anchorage unit  
Anchorage unit with mounting flange made of galvanised steel. Total length 400 mm.  
2 stainless steel fixing screws M 8.  
220 mm spacing

For the accessories a separate instructions for use can be provided upon request.

**Light distribution**