

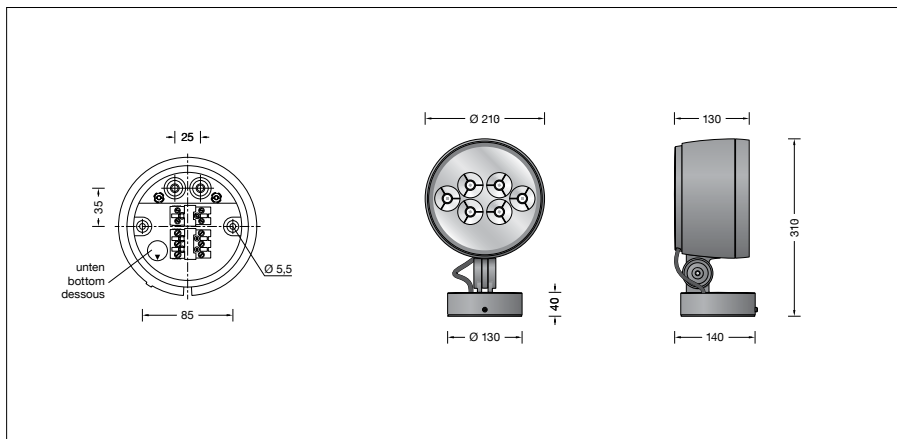
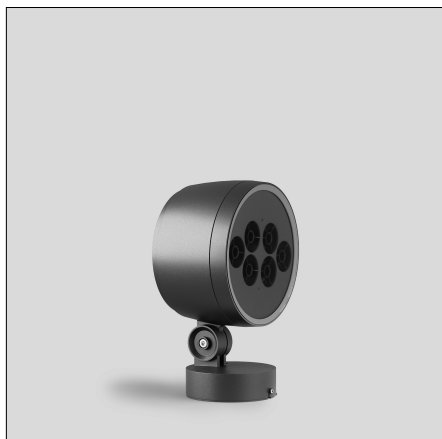
BEGA**84 409**

Performance floodlight

IP 65

Project · Reference number

Date



Product data sheet

Application

LED performance floodlight with mounting box in compact design.

For a variety of interior and exterior lighting applications.

Product description

Luminaire made of aluminium alloy, aluminium and stainless steel
 BEGA Unidure® coating technology
 Clear safety glass · Silicone gasket
 Reflector surface made of pure aluminium
 Inside louvre
 made of glass-fibre reinforced polyamide
 Rotation range of floodlight 350°
 Swivel range -30°/+100°
 Mounting box with 2 fixing holes
 ø 5.5 mm · 85 mm spacing
 2 cable entries for through-wiring of mains
 supply cable ø 7-10.5 mm, max. 5 G 1.5[□]
 Connecting terminal 2.5[□]
 with plug connection
 Earth conductor connection
 LED power supply unit
 220-240 V ~ 0/50-60 Hz
 DC 170-280 V
 DALI controllable
 A basic isolation exists between power cable and control line
 BEGA Thermal Switch®
 Temporary thermal shutdown to protect temperature-sensitive components
 Safety class I
 Protection class IP 65
 Dust-tight and protection against water jets
 Impact strength IK08
 Protection against mechanical impacts < 5 joule
CE – Conformity mark
 Wind catching area: 0.04 m²
 Weight: 4.6 kg

Lamp

Module connected wattage	25.6 W
Luminaire connected wattage	29.8 W
Rated temperature	$t_a = 25\text{ °C}$
Ambient temperature	$t_{a\text{ max}} = 35\text{ °C}$

On request we can offer you modifications for environments with higher temperatures as a customized product.

84 409 K3

Module designation	2x LED-0965/830
Colour temperature	3000 K
Colour rendering index	CRI > 80
Module luminous flux	3540 lm
Luminaire luminous flux	985 lm
Luminaire luminous efficiency	33,1 lm/W

84 409 K4

Module designation	2x LED-0965/840
Colour temperature	4000 K
Colour rendering index	CRI > 80
Module luminous flux	3640 lm
Luminaire luminous flux	1013 lm
Luminaire luminous efficiency	34 lm/W

Service life · Ambient temperature

Rated temperature $t_a = 25\text{ °C}$	
LED psu:	> 50,000 h
LED module:	> 200,000 h (L80 B50) 100,000 h (L90 B50)

Ambient temperature $t_{a\text{ max}} = 35\text{ °C}$ (100 %)	
LED psu:	50,000 h
LED module:	> 200,000 h (L80 B50) 100,000 h (L90 B50)

Inrush current

Inrush current: 10 A / 200 μ s
 Maximum number of luminaires of this type per miniature circuit breaker:

B 10A:	18 luminaires
B 16A:	30 luminaires
C 10A:	31 luminaires
C 16A:	51 luminaires

Light technique

Floodlight with narrow beam rotationally symmetrical light distribution with integrated louvre for stray light suppression.
 Half beam angle 5°
 Luminaire data for the light planning program DIALux for outdoor lighting, street lighting and indoor lighting, as well as luminaire data in EULUMDAT and IES format are available on the BEGA website at www.bega.com.

Article No. 84 409

LED colour temperature optionally 3000 K or 4000 K
 3000 K – Article number + **K3**
 4000 K – Article number + **K4**
 Colour graphite or silver
 graphite – article number
 silver – article number + **A**

Accessories

71 121 Shield

For the accessories a separate instructions for use can be provided upon request.

Light distribution

