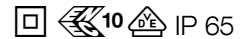


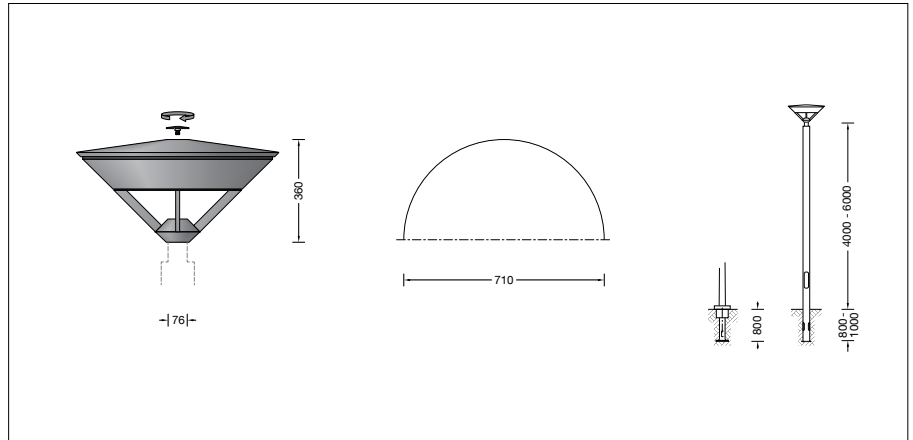
BEGA**84 402**

Pole top luminaire



Project · Reference number

Date



Product data sheet

Application

LED pole-top luminaire with symmetrical light distribution.

For mounting heights 4000 - 6000 mm.

Product description

Luminaire made of aluminium alloy, aluminium and stainless steel
 BEGA Unidure® coating technology
 Safety glass with optical structure
 Silicone gasket
 Reflector made of pure anodised aluminium
 For pole top \varnothing 76 mm
 Slip fitter insert depth 60 mm
 Connecting cable X05BQ-F 4 x 1[□]
 Cable length 6 m
 LED power supply unit
 220-240 V \sim 0/50-60 Hz
 DC 176-264 V
 DALI controllable
 A basic isolation exists between power cable and control line
 BEGA Thermal Control®
 Temporary thermal regulation to protect temperature-sensitive components without switching off the luminaire
 Safety class II
 Protection class IP 65
 Dust-tight and protection against water jets
 Impact strength IK08
 Protection against mechanical impacts < 5 joule
 – Safety mark
CE – Conformity mark
 Horizontal wind catching area: 0.14 m²
 Weight: 15.1 kg

Lamp

Module connected wattage 47.4 W
 Luminaire connected wattage 52.7 W
 Rated temperature $t_a = 25\text{ }^\circ\text{C}$
 Ambient temperature $t_{a\text{max}} = 30\text{ }^\circ\text{C}$

84 402 K4

Module designation 6x LED-0683/840
 Colour temperature 4000 K
 Colour rendering index CRI > 80
 Module luminous flux 7110 lm
 Luminaire luminous flux 3915 lm
 Luminaire luminous efficiency 74,3 lm/W

84 402 K3

Module designation 6x LED-0683/830
 Colour temperature 3000 K
 Colour rendering index CRI > 80
 Module luminous flux 6750 lm
 Luminaire luminous flux 3717 lm
 Luminaire luminous efficiency 70,5 lm/W

Service life · Ambient temperature

Rated temperature $t_a = 25\text{ }^\circ\text{C}$
 LED psu: > 50,000 h
 LED module: > 200,000 h (L 80 B 50)
 100,000 h (L 90 B 50)

Ambient temperature $t_{a\text{max}} = 30\text{ }^\circ\text{C}$ (100 %)

LED psu: 50,000 h
 LED module: > 200,000 h (L 80 B 50)
 100,000 h (L 90 B 50)

Ambient temperature $t_{a\text{max}} = 50\text{ }^\circ\text{C}$ (75 %)

LED psu: 50,000 h
 LED module: > 50,000 h (L 70 B 50)

BEGA Thermal Control® protects temperature-sensitive luminaire components by temporarily limiting the nominal power at high temperatures.

Inrush current

Inrush current: 5 A / 100 μs
 Maximum number of luminaires of this type per miniature circuit breaker:

B 10A: 35 luminaires
 B 16A: 56 luminaires
 C 10A: 35 luminaires
 C 16A: 56 luminaires

Light technique

Luminaire data for the light planning program DIALux for outdoor lighting, street lighting and indoor lighting as well as luminaire data in EULUMDAT- and IES-format you will find on the BEGA web page www.bega.com.

Article No. 84 402

LED colour temperature optionally 4000 K or 3000 K
 4000 K – Article number + **K4**
 3000 K – Article number + **K3**

Colour graphite or silver
 graphite – article number
 silver – article number + **A**

Accessories

For this luminaire we recommend the following BEGA luminaire poles:

Tapered aluminium poles, lacquered with access door and C-clamp
70914 Pole with anch.section H 4000 mm
70725 Pole with anch.section H 4500 mm
70915 Pole with anch.section H 5000 mm
70916 Pole with anch.section H 6000 mm
70791 Pole with baseplate H 4000 mm
70792 Pole with baseplate H 4500 mm
70794 Pole with baseplate H 5000 mm

Cylindrical aluminium poles - lacquered with access door and C-clamp
70742 Pole with anch.section H 4000 mm
70743 Pole with anch.section H 4500 mm
70744 Pole with anch.section H 5000 mm
70732 Pole with baseplate H 3500 mm
70733 Pole with baseplate H 4000 mm

For suitable connection boxes please see the instructions for use of the luminaire poles.

Light distribution

