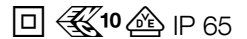


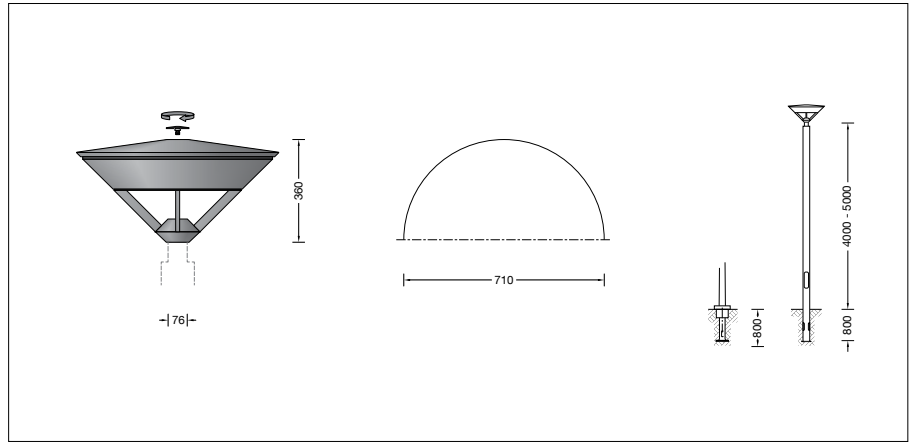
**BEGA****84 401**

Pole top luminaire



Project · Reference number

Date



## Product data sheet

**Application**

LED pole-top luminaire with symmetrical light distribution.

For mounting heights 4000 - 5000 mm.

**Product description**

Luminaire made of aluminium alloy, aluminium and stainless steel  
 BEGA Unidure® coating technology  
 Safety glass with optical structure  
 Silicone gasket  
 Reflector made of pure anodised aluminium  
 For pole top  $\varnothing$  76 mm  
 Slip fitter insert depth 60 mm  
 Connecting cable X05BQ-F 4 x 1<sup>□</sup>  
 Cable length 6 m  
 LED power supply unit  
 220-240 V  $\sphericalangle$  0/50-60 Hz  
 DC 176-264 V  
 DALI controllable  
 A basic isolation exists between power cable and control line  
 BEGA Thermal Control®  
 Temporary thermal regulation to protect temperature-sensitive components without switching off the luminaire  
 Safety class II   
 Protection class IP 65  
 Dust-tight and protection against water jets  
 Impact strength IK08  
 Protection against mechanical impacts < 5 joule  
 – Safety mark  
**CE** – Conformity mark  
 Horizontal wind catching area: 0.14 m<sup>2</sup>  
 Weight: 14.6 kg

**Lamp**

Module connected wattage 22.8 W  
 Luminaire connected wattage 25.4 W  
 Rated temperature  $t_a = 25\text{ }^\circ\text{C}$   
 Ambient temperature  $t_{a\text{max}} = 60\text{ }^\circ\text{C}$

**84 401 K4**

Module designation 6x LED-0146/840  
 Colour temperature 4000 K  
 Colour rendering index CRI > 80  
 Module luminous flux 4710 lm  
 Luminaire luminous flux 2271 lm  
 Luminaire luminous efficiency 89,4 lm/W

**84 401 K3**

Module designation 6x LED-0146/830  
 Colour temperature 3000 K  
 Colour rendering index CRI > 80  
 Module luminous flux 4590 lm  
 Luminaire luminous flux 2213 lm  
 Luminaire luminous efficiency 87,1 lm/W

**Service life · Ambient temperature**

Rated temperature  $t_a = 25\text{ }^\circ\text{C}$   
 LED psu: > 50,000h  
 LED module: > 200,000h (L 80 B 50)  
 100,000h (L 90 B 50)

Ambient temperature  $t_{a\text{max}} = 60\text{ }^\circ\text{C}$  (100 %)

LED psu: 50,000h  
 LED module: 55,000h (L 80 B 50)  
 83,000h (L 70 B 50)

**Light technique**

Luminaire data for the light planning program  
 DIALux for outdoor lighting, street lighting and indoor lighting as well as luminaire data in EULUMDAT- and IES-format you will find on the BEGA web page [www.bega.com](http://www.bega.com).

**Inrush current**

Inrush current: 5 A / 100  $\mu\text{s}$   
 Maximum number of luminaires of this type per miniature circuit breaker:

B 10A: 35 luminaires  
 B 16A: 56 luminaires  
 C 10A: 35 luminaires  
 C 16A: 56 luminaires

**Article No. 84 401**

LED colour temperature optionally 4000 K or 3000 K

4000 K – Article number + **K4**  
 3000 K – Article number + **K3**

Colour graphite or silver  
 graphite – article number  
 silver – article number + **A**

**Accessories**

For this luminaire we recommend the following BEGA luminaire poles:

Tapered aluminium poles, lacquered with access door and C-clamp  
**70 914** Pole with anch.section H 4000 mm  
**70 725** Pole with anch.section H 4500 mm  
**70 915** Pole with anch.section H 5000 mm  
**70 791** Pole with baseplate H 4000 mm  
**70 792** Pole with baseplate H 4500 mm  
**70 794** Pole with baseplate H 5000 mm

Cylindrical aluminium poles · lacquered with access door and C-clamp  
**70 742** Pole with anch.section H 4000 mm  
**70 743** Pole with anch.section H 4500 mm  
**70 744** Pole with anch.section H 5000 mm  
**70 732** Pole with baseplate H 3500 mm  
**70 733** Pole with baseplate H 4000 mm

For suitable connection boxes please see the instructions for use of the luminaire poles.

**Light distribution**