

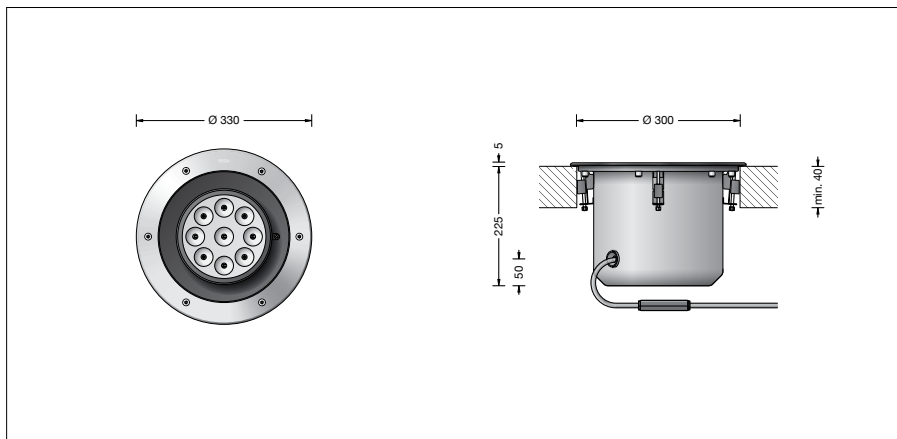
BEGA**84 383**

In-ground luminaire RGBW

IP 68

Project · Reference number

Date



Product data sheet

Application

LED floodlight with adjustable light distribution for additive colour mixing RGBW.

Luminaire for installation in core holes or cut-outs in floors. Drive-over luminaire for vehicles with pneumatic tyres.

The floodlight can be controlled by DALI colour light control (DT8, RGBWAF, xy).

We recommend our BEGA Control system for this purpose.

Please note: Luminaire must not be used for installations in road lanes, where the fixture is exposed to a horizontal strain due to braking, acceleration and change of direction.

The minimum distance to illuminated objects above the light distribution opening must be $\geq 0,5 \text{ m}$.

We recommend skid-blocking glass for walk-over public areas – see accessories.

Product description

Luminaire made of stainless steel

Steel grade no. 1.4301

Clear safety glass

Silicone gasket

Reflector surface made of pure aluminium

Required recessed opening $\varnothing 300 \text{ mm}$

Minimum material thickness 40 mm

Fixing is achieved by using three wedge-shaped clamping elements

1,8 m water-resistant connecting cable

07RN8-F 5G1[□] with implemented water stopper and 1.2 m PVC cable conduit

LED power supply unit

220-240 V \sim 50-60 Hz

DALI controllable

A basic isolation exists between power cable and control line

Safety class I

Protection class IP 68 10 m

Dust-tight and water pressure tight

Maximum submersion depth 10 m

Pressure load 2,000 kg (20 kN)

Impact strength IK10

Protection against mechanical impacts < 20 joule

Maximum surface temperature 40 °C

(measured according to EN 60598 of $t_a 15 \text{ °C}$)

CE – Conformity mark

Weight: 9.1 kg

Lamp

Module connected wattage 30.7 W

Luminaire connected wattage 37 W

Rated temperature $t_a = 25 \text{ °C}$

Ambient temperature $t_{a \text{ max}} = 25 \text{ °C}$

Module designation LED-0534/RGBW

Module luminous flux 2610 lm

Luminaire luminous flux 1165 lm

Luminaire luminous efficiency 31,5 lm/W

Lifetime of the LED

Ambient temperature $t_a = 15 \text{ °C}$

– at 50,000 h: L80B10

– at 85,000 h: L70B50

max. ambient temperature $t_a = 25 \text{ °C}$

– at 50,000 h: L80B10

– at 84,000 h: L70B50

Light technique

In-ground floodlight with adjustable optical system.

Optical system 0-30° swivel-mounted

in 3° steps and $\pm 180^\circ$ infinitely rotatable.

Narrow beam rotationally symmetrical light distribution. Half beam angle 19°

For special lighting tasks it is possible to change the narrow beam light cone into a wide beam or flat beam light distribution by using diffuser lenses.

For wide beam light distribution:

Diffuser lens **10048**

For flat beam light distribution:

Diffuser lens **10019**

Light cone $\pm 90^\circ$ rotatable.

Inrush current

Inrush current: 29 A / 218 μs

Maximum number of luminaires of this type per miniature circuit breaker:

B 10A: 10 luminaires

B 16A: 17 luminaires

C 10A: 17 luminaires

C 16A: 29 luminaires

Article No. 84 383

We supply this luminaire with skid-blocking glass which is denoted by **R** after the article number.

Accessories

140233R Skid-blocking glass

BEGA skid-blocking glass with the highest rating R 13 according to DIN 51130 can be used without restriction for all public areas.

Abrasion resistance according to EN ISO 10545-7 Class 3

Exchangeable lenses

10048 wide beam

10019 flat beam

Distribution box for installation in soil

70730 Distribution box with 7 cable entries

Connection terminals 5 x 4[□]

71053 Distribution box with 10 cable entries

Connection terminals 6 x 16[□]

For the accessories a separate instructions for use can be provided upon request.