

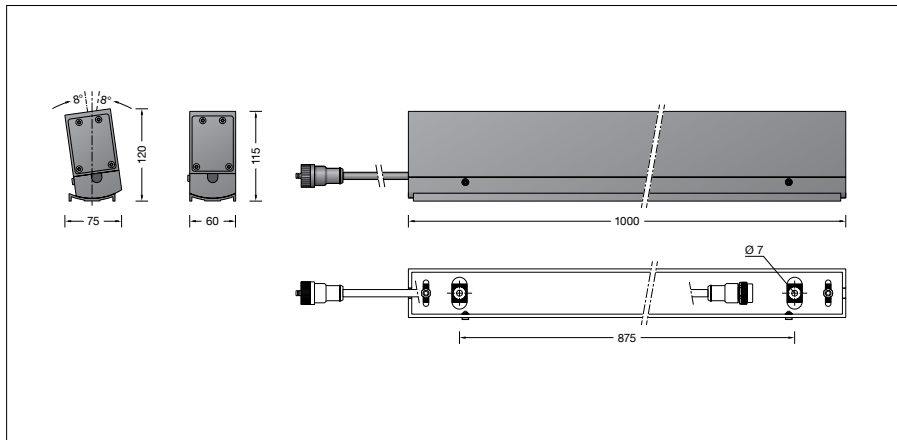
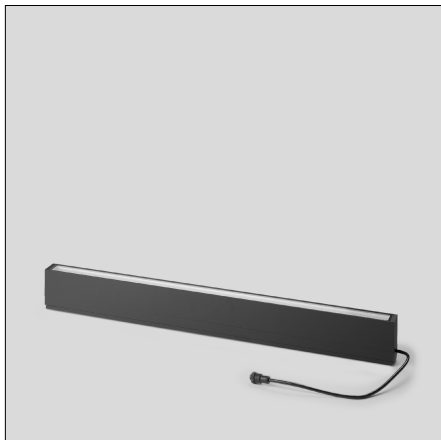
BEGA**84 380**

Façade floodlight

IP 65

Project · Reference number

Date



Product data sheet

Product description

Floodlight made of aluminium alloy, aluminium and stainless steel
 Clear safety glass
 Silicone gasket
 Reflector made of pure anodised aluminium
 Attack angle adjustable in 2° steps from -8° to 8°
 2 mounting holes \varnothing 7 mm
 Distance apart 875 mm
 0,5 m cable with 5-pole plug-in connector
 LED power supply unit
 220-240 V \sim 0/50-60 Hz
 DC 176-264 V
 During DC operation the LED power is reduced to 50 %
 DALI controllable (Device Type 8 for Tunable White according to IEC 62386-209)
 A basic isolation exists between power cable and control line
 Safety class I
 Protection class IP 65
 Dust-tight and protection against water jets
 Impact strength IK06
 Protection against mechanical impacts < 1 joule
CE – Conformity mark
 Weight: 5.6 kg

Application

LED façade floodlights with asymmetrical light distribution and with adjustable LED colour temperature (Tunable White).
 The attack angle of the luminaires is adjustable in 2° steps from -8° to 8°.
 The luminaires can be installed side by side to form a continuous light strip. Simple 5-pole plug-in connectors are used for the electrical connection to the next luminaire.
 The luminaire can be controlled by DALI colour light control (DT8, TW).
 We recommend our BEGA Control system for this purpose.

Lamp

Module connected wattage	25.6 W
Luminaire connected wattage	30 W
Rated temperature	$t_a = 25\text{ °C}$
Ambient temperature	$t_{a, \max} = 55\text{ °C}$

Module designation	2x LED-0928/8TW
Colour temperature	adjust. 2700 - 6500 K
Colour rendering index	$R_a > 80$
Module luminous flux	4500 lm
Luminaire luminous flux	1988 lm
Luminaire luminous efficiency	66,3 lm/W

Setting the colour temperature

The LED colour temperature of the luminaire can be set from 2700 to 6500 K ("Tunable White").
 Please note: To be able to set the LED colour temperature, the controller used must support DALI Device Type 8.
 If no LED colour temperature setting is made, 4000 K will be used by default.

Lighting technology

Asymmetrical light distribution
 Half beam angle 46/77°
 Luminaire data for the light planning program DIALux for outdoor lighting, street lighting and indoor lighting, as well as luminaire data in EULUMDAT and IES format are available on the BEGA website at www.bega.com.

Article No. 84 380

Colour graphite or silver
 graphite – article number
 silver – article number + **A**

Service life of the LED

Ambient temperature $t_a = 25\text{ °C}$
 – at > 500,000h: L70B50

max. ambient temperature $t_a = 55\text{ °C}$
 – at 92,000h: L70B50

Accessories

70 555	Connection housing
71 037	Connection cable 2 m
70 556	Connection cable 5 m
70 557	Connection cable 10 m
71 036	Wall outrigger arm
71 064	Connection housing for wall outrigger arm

For the accessories a separate instructions for use can be provided upon request.

Light distribution