

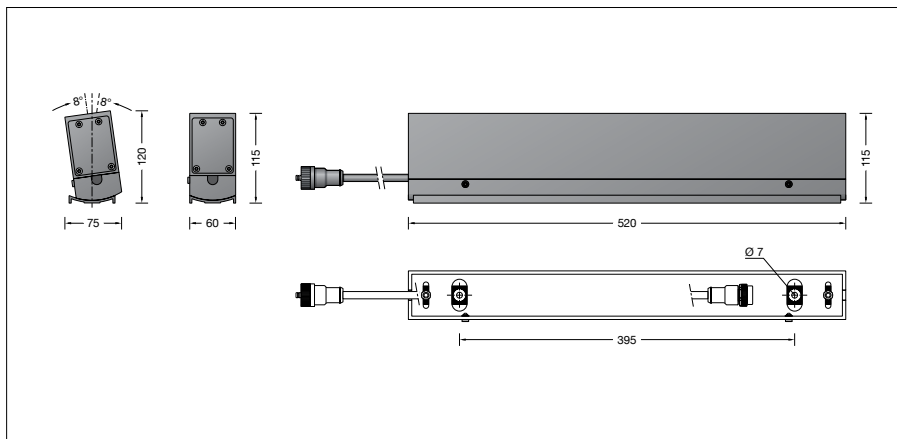
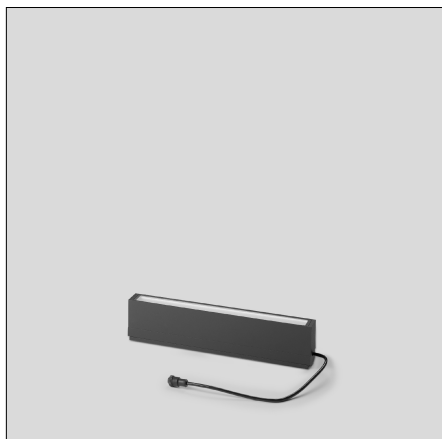
**BEGA****84 377**

Façade floodlight

IP 65

Project · Reference number

Date



## Product data sheet

**Product description**

Floodlight made of aluminium alloy, aluminium and stainless steel  
 Clear safety glass  
 Silicone gasket  
 Reflector made of pure anodised aluminium  
 Attack angle adjustable in 2° steps from -8° to 8°  
 2 mounting holes  $\varnothing$  7 mm  
 Distance apart 395 mm  
 0,5 m cable with 5-pole plug-in connector  
 LED power supply unit  
 220-240 V  $\sim$  0/50-60 Hz  
 DC 176-264 V  
 During DC operation the LED power is reduced to 50 %  
 DALI controllable (Device Type 8 for Tunable White according to IEC 62386-209)  
 A basic isolation exists between power cable and control line  
 Safety class I  
 Protection class IP 65  
 Dust-tight and protection against water jets  
 Impact strength IK06  
 Protection against mechanical impacts < 1 joule  
**CE** – Conformity mark  
 Weight: 3.1 kg

**Application**

LED facade floodlights with symmetrical light distribution and with adjustable LED colour temperature (Tunable White).  
 The attack angle of the luminaires is adjustable in 2° steps from -8° to 8°.  
 The luminaires can be installed side by side to form a continuous light strip. Simple 5-pole plug-in connectors are used for the electrical connection to the next luminaire.  
 The luminaire can be controlled by DALI colour light control (DT8, TW).  
 We recommend our BEGA Control system for this purpose.

**Lamp**

Module connected wattage	12.8 W
Luminaire connected wattage	16 W
Rated temperature	$t_a = 25^\circ\text{C}$
Ambient temperature	$t_{a\text{max}} = 60^\circ\text{C}$

Module designation	LED-0928/8TW
Colour temperature	adjust. 2700 - 6500 K
Colour rendering index	$R_a > 80$
Module luminous flux	2250 lm
Luminaire luminous flux	1175 lm
Luminaire luminous efficiency	73,4 lm/W

**Setting the colour temperature**

The LED colour temperature of the luminaire can be set from 2700 to 6500 K ("Tunable White").  
 Please note: To be able to set the LED colour temperature, the controller used must support DALI Device Type 8.  
 If no LED colour temperature setting is made, 4000 K will be used by default.

**Light technique**

Symmetrical wide beam light distribution  
 Half beam angle 32/93°  
 Luminaire data for the light planning program DIALux for outdoor lighting, street lighting and indoor lighting, as well as luminaire data in EULUMDAT and IES format are available on the BEGA website at [www.bega.com](http://www.bega.com).

**Article No. 84 377**

Colour graphite or silver  
 graphite – article number  
 silver – article number + **A**

**Service life of the LED**

Ambient temperature  $t_a = 25^\circ\text{C}$   
 – at > 500,000 h: L70B50

max. ambient temperature  $t_a = 60^\circ\text{C}$   
 – at 66,000 h: L70B50

**Accessories**

<b>70 555</b>	Connection housing
<b>71 037</b>	Connection cable 2 m
<b>70 556</b>	Connection cable 5 m
<b>70 557</b>	Connection cable 10 m
<b>71 036</b>	Wall outrigger arm
<b>71 064</b>	Connection housing for wall outrigger arm

For the accessories a separate instructions for use can be provided upon request.

**Light distribution**