

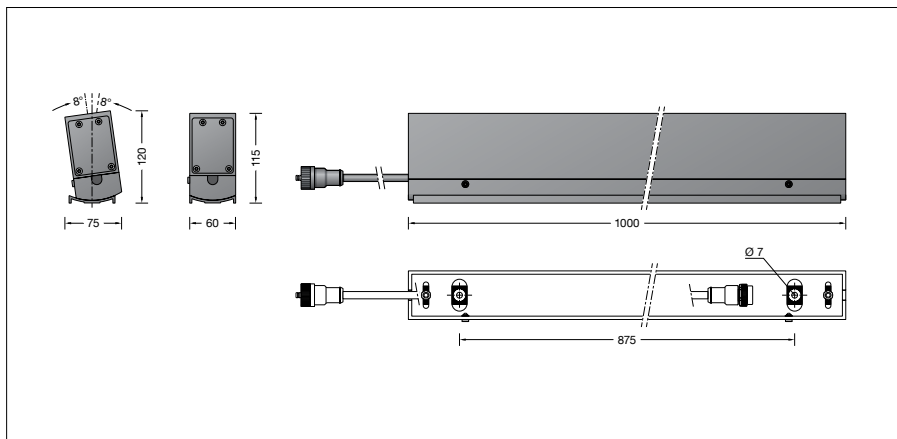
**BEGA****84 376**

Façade floodlight

IP 65

Project · Reference number

Date



## Product data sheet

### Application

LED facade floodlights with symmetrical light distribution and with adjustable LED colour temperature (Tunable White).

The attack angle of the luminaires is adjustable in 2° steps from -8° to 8°.

The luminaires can be installed side by side to form a continuous light strip. Simple 5-pole plug-in connectors are used for the electrical connection to the next luminaire.

The luminaire can be controlled by DALI colour light control (DT8, TW).

We recommend our BEGA Control system for this purpose.

### Product description

Floodlight made of aluminium alloy,

aluminium and stainless steel

Clear safety glass

Silicone gasket

Reflector made of pure anodised aluminium

Attack angle adjustable in 2° steps

from -8° to 8°

2 mounting holes  $\varnothing$  7 mm

Distance apart 875 mm

0,5 m cable with 5-pole plug-in connector

LED power supply unit

220-240 V  $\sim$  0/50-60 Hz

DC 176-264 V

During DC operation the LED power

is reduced to 50 %

DALI controllable (Device Type 8 for Tunable

White according to IEC 62386-209)

A basic isolation exists between power cable and control line

Safety class I

Protection class IP 65

Dust-tight and protection against water jets

CE – Conformity mark

Weight: 5.5 kg

### Lamp

Module connected wattage	25.6 W
Luminaire connected wattage	30 W
Rated temperature	$t_a = 25 \text{ }^\circ\text{C}$
Ambient temperature	$t_{a \text{ max}} = 55 \text{ }^\circ\text{C}$

Module designation	2x LED-0928/8TW
Colour temperature	adjust. 2700 - 6500 K
Colour rendering index	$R_a > 80$
Module luminous flux	4500 lm
Luminaire luminous flux	2766 lm
Luminaire luminous efficiency	92,2 lm/W

### Setting the colour temperature

The LED colour temperature of the luminaire can be set from 2700 to 6500 K ("Tunable White").

Please note: To be able to set the LED colour temperature, the controller used must support DALI Device Type 8.

If no LED colour temperature setting is made, 4000 K will be used by default.

### Service life of the LED

Ambient temperature  $t_a = 25 \text{ }^\circ\text{C}$

– at > 500,000 h: L70B50

max. ambient temperature  $t_a = 55 \text{ }^\circ\text{C}$

– at 92,000 h: L70B50

### Lighting technology

Symmetrical narrow beam light distribution.

Half beam angle 14/89°

Luminaire data for the light planning program DIALux for outdoor lighting, street lighting and indoor lighting, as well as luminaire data in EULUMDAT and IES format are available on the BEGA website at [www.bega.com](http://www.bega.com).

### Article No. 84 376

Colour graphite or silver  
graphite – article number  
silver – article number + **A**

### Accessories

<b>70 555</b>	Connection housing
<b>71 037</b>	Connection cable 2 m
<b>70 556</b>	Connection cable 5 m
<b>70 557</b>	Connection cable 10 m
<b>71 036</b>	Wall outrigger arm
<b>71 064</b>	Connection housing for wall outrigger arm

For the accessories a separate instructions for use can be provided upon request.

### Light distribution

