

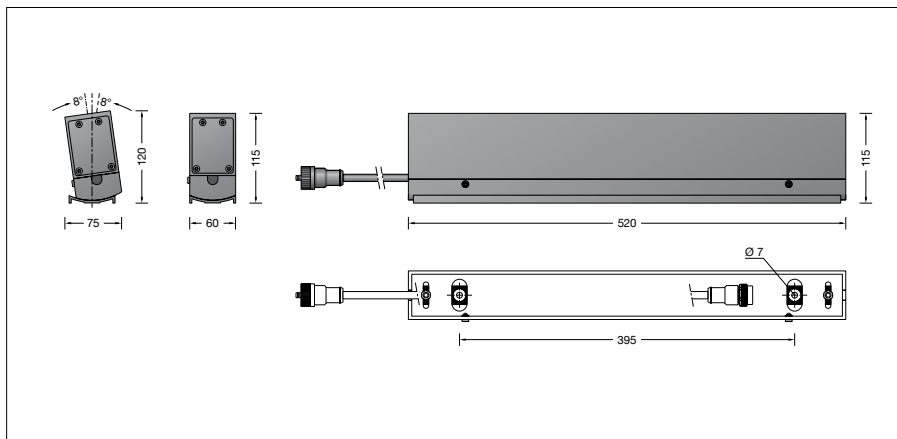
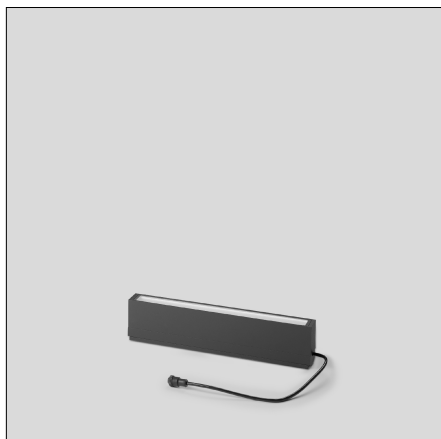
BEGA**84 375**

Façade floodlight

IP 65

Project · Reference number

Date



Product data sheet

Product description

Floodlight made of aluminium alloy,
aluminium and stainless steel
Clear safety glass
Silicone gasket
Reflector made of pure anodised aluminium
Attack angle adjustable in 2° steps
from -8° to 8°
2 mounting holes \varnothing 7 mm
Distance apart 395 mm
0,5 m cable with 5-pole plug-in connector
LED power supply unit
220-240 V \sim 0/50-60 Hz
DC 176-264 V
During DC operation the LED power
is reduced to 50 %
DALI controllable (Device Type 8 for Tunable
White according to IEC 62386-209)
A basic isolation exists between power cable
and control line
Safety class I
Protection class IP 65
Dust-tight and protection against water jets
Impact strength IK06
Protection against mechanical
impacts < 1 joule
CE – Conformity mark
Weight: 3.1 kg

Application

LED facade floodlights with symmetrical light
distribution and with adjustable LED colour
temperature (Tunable White).
The attack angle of the luminaires is adjustable
in 2° steps from -8° to 8°.
The luminaires can be installed side by side
to form a continuous light strip. Simple 5-pole
plug-in connectors are used for the electrical
connection to the next luminaire.
The luminaire can be controlled by DALI colour
light control (DT8, TW).
We recommend our BEGA Control system for
this purpose.

Lamp

Module connected wattage	12.8 W
Luminaire connected wattage	16 W
Rated temperature	$t_a = 25 \text{ }^\circ\text{C}$
Ambient temperature	$t_{a \text{ max}} = 60 \text{ }^\circ\text{C}$
Module designation	LED-0928/8TW
Colour temperature	adjust. 2700 - 6500 K
Colour rendering index	$R_a > 80$
Module luminous flux	2250 lm
Luminaire luminous flux	1270 lm
Luminaire luminous efficiency	79,4 lm/W

Setting the colour temperature

The LED colour temperature of the luminaire
can be set from 2700 to 6500 K
("Tunable White").
Please note: To be able to set the LED colour
temperature, the controller used must support
DALI Device Type 8.
If no LED colour temperature setting is made,
4000 K will be used by default.

Service life of the LED

Ambient temperature $t_a = 25 \text{ }^\circ\text{C}$
– at > 500,000 h: L70B50

max. ambient temperature $t_a = 60 \text{ }^\circ\text{C}$
– at 66,000 h: L70B50

Lighting technology

Symmetrical narrow beam light distribution.
Half beam angle 12/85°
Luminaire data for the light planning program
DIALux for outdoor lighting, street lighting and
indoor lighting, as well as luminaire data in
EULUMDAT and IES format are available on the
BEGA website at www.bega.com.

Article No. 84 375

Colour graphite or silver
graphite – article number
silver – article number + **A**

Accessories

70 555 Connection housing
71 037 Connection cable 2 m
70 556 Connection cable 5 m
70 557 Connection cable 10 m
71 036 Wall outrigger arm
71 064 Connection housing for wall
outrigger arm

For the accessories a separate instructions
for use can be provided upon request.

Light distribution