

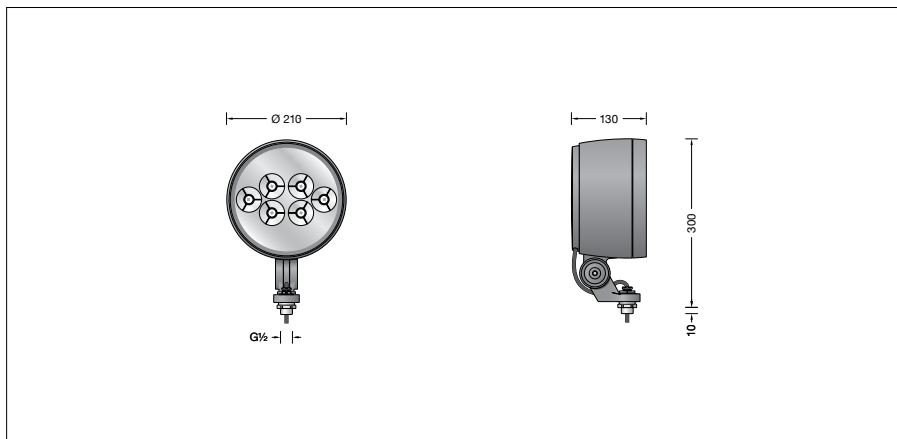
**BEGA****84 359**

Performance floodlight

IP 65

Project · Reference number

Date



## Product data sheet

### Application

LED performance floodlight with G½ mounting bush in compact design.

The floodlight can be bolted together with any female thread G½ according to ISO 228 supplied by others or to BEGA accessories. For a variety of interior and exterior lighting applications.

### Product description

Luminaire made of aluminium alloy, aluminium and stainless steel  
 BEGA Unidure® coating technology  
 Clear safety glass · Silicone gasket  
 Reflector surface made of pure aluminium  
 Inside louvre  
 made of glass-fibre reinforced polyamide  
 Rotation range of floodlight 350°  
 Swivel range -30°/+140°  
 Mounting bracket with G½ threaded connection  
 Thread length: 10 mm  
 Connecting cable X05BQ-F 5 G 1<sup>□</sup>  
 Cable length 1 m  
 LED power supply unit  
 220-240 V ~ 0/50-60 Hz  
 DC 170-280 V  
 DALI controllable  
 A basic isolation exists between power cable and control line  
 BEGA Thermal Switch®  
 Temporary thermal shutdown to protect temperature-sensitive components  
 Safety class I  
 Protection class IP 65  
 Dust-tight and protection against water jets  
 Impact strength IK08  
 Protection against mechanical impacts < 5 joule  
**CE** – Conformity mark  
 Wind catching area: 0.035 m<sup>2</sup>  
 Weight: 4.2 kg

### Lamp

Module connected wattage	25.6 W
Luminaire connected wattage	29.8 W
Rated temperature	$t_a = 25\text{ °C}$
Ambient temperature	$t_{a\text{ max}} = 35\text{ °C}$

On request we can offer you modifications for environments with higher temperatures as a customized product.

### 84 359 K3

Module designation	2x LED-0965/830
Colour temperature	3000 K
Colour rendering index	CRI > 80
Module luminous flux	3540 lm
Luminaire luminous flux	985 lm
Luminaire luminous efficiency	33,1 lm/W

### 84 359 K4

Module designation	2x LED-0965/840
Colour temperature	4000 K
Colour rendering index	CRI > 80
Module luminous flux	3640 lm
Luminaire luminous flux	1013 lm
Luminaire luminous efficiency	34 lm/W

### Service life · Ambient temperature

Rated temperature $t_a = 25\text{ °C}$	
LED psu:	> 50,000 h
LED module:	> 200,000 h (L80 B50) 100,000 h (L90 B50)

Ambient temperature $t_{a\text{ max}} = 35\text{ °C}$ (100 %)	
LED psu:	50,000 h
LED module:	> 200,000 h (L80 B50) 100,000 h (L90 B50)

### Inrush current

Inrush current: 10 A / 200 μs  
 Maximum number of luminaires of this type per miniature circuit breaker:  
 B 10A: 18 luminaires  
 B 16A: 30 luminaires  
 C 10A: 31 luminaires  
 C 16A: 51 luminaires

### Light technique

Floodlight with narrow beam rotationally symmetrical light distribution with integrated louvre for stray light suppression. Half beam angle 5°

Luminaire data for the light planning program DIALux for outdoor lighting, street lighting and indoor lighting, as well as luminaire data in EULUMDAT and IES format are available on the BEGA website at [www.bega.com](http://www.bega.com).

### Article No. 84 359

LED colour temperature optionally 3000 K or 4000 K  
 3000 K – Article number + **K3**  
 4000 K – Article number + **K4**

Colour graphite or silver  
 graphite – article number  
 silver – article number + **A**

### Accessories

<b>71 121</b>	Shield
<b>70 214</b>	Pole cap for pole ø 48 mm
<b>70 248</b>	Pole cap for pole ø 60 mm
<b>70 245</b>	Mounting box
<b>70 252</b>	Tree screw
<b>70 280</b>	Tube clamp G½
<b>70 283</b>	Screw clamp
<b>70 379</b>	Outrigger arm G½
<b>70 889</b>	Tension belt

For the accessories a separate instructions for use can be provided upon request.

### Light distribution

