

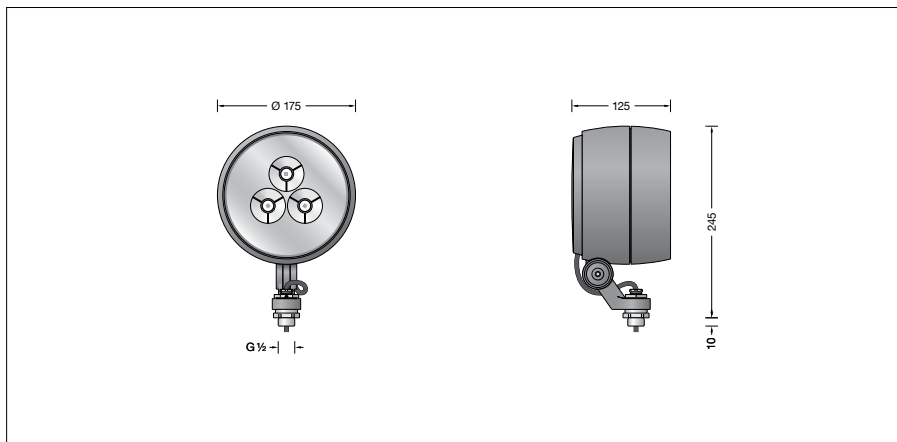
BEGA**84 358**

Performance floodlight

IP 65

Project · Reference number

Date



Product data sheet

Product description

Luminaire made of aluminium alloy, aluminium and stainless steel
 Clear safety glass
 Silicone gasket
 Reflector surface made of pure aluminium
 Optical silicone lens
 Inside louvre
 made of glass-fibre reinforced polyamide
 Rotation range of floodlight 350°
 Swivel range -30°/+140°
 Mounting bracket with G $\frac{1}{2}$ threaded connection
 Thread length: 10 mm
 Connecting cable X05BQ-F 5 G 1 □
 Cable length 1 m
 LED power supply unit
 220-240 V \approx 0/50-60 Hz
 DC 170-280 V
 DALI controllable
 A basic isolation exists between power cable and control line
 BEGA Thermal Switch®
 Temporary thermal shutdown to protect temperature-sensitive components
 Safety class I
 Protection class IP 65
 Dust-tight and protection against water jets
 Impact strength IK09
 Protection against mechanical impacts < 10 joule
 CE – Conformity mark
 Wind catching area: 0.025 m²
 Weight: 2.8 kg

Application

LED performance floodlight with G $\frac{1}{2}$ mounting bush in compact design.
 The floodlight can be bolted together with any female thread G $\frac{1}{2}$ according to ISO 228 supplied by others or to BEGA accessories. For a variety of interior and exterior lighting applications.

Lamp

Module connected wattage	12.8 W
Luminaire connected wattage	16.4 W
Rated temperature	t _a = 25 °C
Ambient temperature	t _{a max} = 35 °C

On request we can offer you modifications for environments with higher temperatures as a customized product.

84 358 K3

Module designation	LED-0965/830
Colour temperature	3000 K
Colour rendering index	CRI > 80
Module luminous flux	1770 lm
Luminaire luminous flux	483 lm
Luminaire luminous efficiency	29,5 lm/W

84 358 K4

Module designation	LED-0965/840
Colour temperature	4000 K
Colour rendering index	CRI > 80
Module luminous flux	1820 lm
Luminaire luminous flux	497 lm
Luminaire luminous efficiency	30,3 lm/W

Service life · Ambient temperature

Rated temperature t _a = 25 °C	
LED psu:	> 50,000 h
LED module:	> 200,000 h (L.80 B 50) 100,000 h (L.90 B 50)

Ambient temperature t _{a max} = 35 °C (100 %)	
LED psu:	50,000 h
LED module:	> 200,000 h (L.80 B 50) 100,000 h (L.90 B 50)

Inrush current

Inrush current: 10 A / 200 μs
 Maximum number of luminaires of this type per miniature circuit breaker:
 B 10A: 18 luminaires
 B 16A: 30 luminaires
 C 10A: 31 luminaires
 C 16A: 51 luminaires

Light technique

Floodlight with narrow beam rotationally symmetrical light distribution with integrated louvre for stray light suppression. Half beam angle 5°
 Luminaire data for the light planning program DIALux for outdoor lighting, street lighting and indoor lighting, as well as luminaire data in EULUMDAT and IES format are available on the BEGA website at www.bega.com.

Article No. 84 358

LED colour temperature optionally 3000 K or 4000 K
 3000 K – Article number + **K3**
 4000 K – Article number + **K4**
 Colour graphite or silver
 graphite – article number
 silver – article number + **A**

Accessories

71 111 Shield
70 214 Pole cap for pole ø 48 mm
70 248 Pole cap for pole ø 60 mm
70 245 Mounting box
70 252 Tree screw
70 280 Tube clamp G $\frac{1}{2}$
70 283 Screw clamp
70 379 Outrigger arm G $\frac{1}{2}$
70 889 Tension belt
71 042 Adapter for mounting on a pole

For the accessories a separate instructions for use can be provided upon request.

Light distribution

