

BEGA**84 350**

Performance floodlight RGBW

IP 65

Project · Reference number

Date

Product data sheet

Application

LED performance floodlight with mounting box in compact design for additive colour mixing RGBW.

The floodlight can be controlled by DALI colour light control (DT8, RGBWAF, xy).

We recommend our BEGA Control system for this purpose.

Product description

Luminaire made of aluminium alloy, aluminium and stainless steel

Silicone gasket

Safety glass with optical structure

BEGA Vortex Optics®

Reflector surface made of pure aluminium

Rotation range of floodlight 350°

Swivel range -90°/+90°

Mounting box with 2 fixing holes

∅ 5.5 mm · 85 mm spacing

2 cable entries for through-wiring of mains

supply cable ∅ 7-10.5 mm, max. 5G1.5[□]

Connecting terminal 2.5[□]

with plug connection

Earth conductor connection

LED power supply unit

220-240 V ~ 0/50-60 Hz

DC 176-264 V

During DC operation the LED power

is reduced to 100%

DALI controllable

A basic isolation exists between power cable and control line

BEGA Thermal Control®

Temporary thermal regulation to protect temperature-sensitive components without switching off the luminaire

Safety class I

Protection class IP 65

Dust-tight and protection against water jets

Impact strength IK08

Protection against mechanical

impacts < 5 joule

CE – Conformity mark

Wind catching area: 0.09 m²

Weight: 5.6 kg

Lamp

Module connected wattage 94.4 W

Luminaire connected wattage 105 W

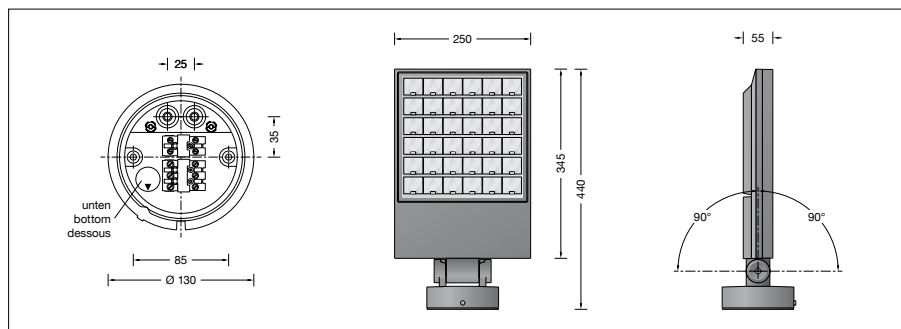
Rated temperature $t_a = 25\text{ °C}$

Ambient temperature $t_{a\text{ max}} = 30\text{ °C}$

Module designation LED-1023/RGBW

Luminaire luminous flux 4262 lm

Luminaire luminous efficiency 40,6 lm/W



Service life · Ambient temperature

Rated temperature $t_a = 25\text{ °C}$

LED psu: > 50,000 h

LED module: 190,000 h (L80B50)

Ambient temperature $t_{a\text{ max}} = 30\text{ °C}$ (100 %)

LED psu: 50,000 h

LED module: 170,000 h (L80B50)

Article No. 84 350

Colour graphite or silver
graphite – article number
silver – article number + A

Lighting technology

Asymmetrical light distribution

Half beam angle 42/50°

Luminaire data for the light planning program DIALux for outdoor lighting, street lighting and indoor lighting, as well as luminaire data in EULUMDAT and IES format are available on the BEGA website at www.bega.com.