

Project · Reference number

Date

**Product data sheet****Application**

LED performance floodlight with mounting box in compact design for additive colour mixing RGBW.

The floodlight can be controlled by DALI colour light control (DT8, RGBWAF, xy).

We recommend our BEGA Control system for this purpose.

**Product description**

Luminaire made of aluminium alloy,

aluminium and stainless steel

Silicone gasket

Safety glass with optical structure

Reflector surface made of pure aluminium

Rotation range of floodlight 350°

Swivel range -90°/+90°

Mounting box with 2 fixing holes

ø 5.5 mm · 85 mm spacing

2 cable entries for through-wiring of mains

supply cable ø 7-10.5 mm, max. 5 G 1.5<sup>□</sup>

Connecting terminal 2.5<sup>□</sup>

with plug connection

Earth conductor connection

LED power supply unit

220-240 V ~ 0/50-60 Hz

DC 176-264 V

DALI controllable

A basic isolation exists between power cable and control line

Safety class I

Protection class IP 65

Dust-tight and protection against water jets

Impact strength IK08

Protection against mechanical

impacts < 5 joule

CE – Conformity mark

Wind catching area: 0.09 m<sup>2</sup>

Weight: 5.6 kg

**Lamp**

Module connected wattage 94.4 W

Luminaire connected wattage 105 W

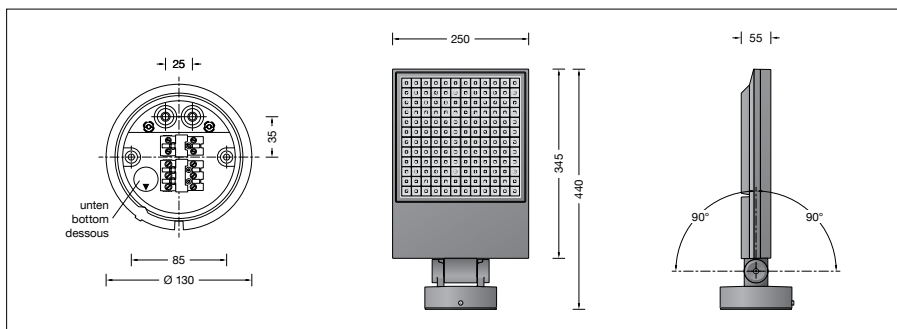
Rated temperature  $t_a = 25\text{ °C}$

Ambient temperature  $t_{a\text{max}} = 25\text{ °C}$

Module designation LED-1022/RGBW

Luminaire luminous flux 3701 lm

Luminaire luminous efficiency 35,2 lm/W

**Light technique**

Floodlight with narrow beam light distribution.

Half beam angle 20°

Luminaire data for the light planning program DIALux for outdoor lighting, street lighting and indoor lighting, as well as luminaire data in EULUMDAT and IES format are available on the BEGA website at [www.bega.com](http://www.bega.com).

**Article No. 84 348**

Colour graphite or silver  
graphite – article number  
silver – article number + A