

BEGA**84 347**

Performance floodlight RGBW

IP 65

Project · Reference number

Date

Product data sheet

Application

LED performance floodlight with G½ mounting bush in compact design for additive colour mixing RGBW.

The floodlight can be controlled by DALI colour light control (DT8, RGBWAF, xy).

Product description

Luminaire made of aluminium alloy, aluminium and stainless steel
 Safety glass with optical structure
 Silicone gasket
 BEGA Vortex Optics®
 Reflector surface made of pure aluminium
 Rotation range of floodlight 350°
 Swivel range -70°/+100°
 Mounting bracket with G½ threaded connection
 Thread length: 10 mm
 Connecting cable X05BQ-F 5 G 1 □
 Cable length 1 m
 LED power supply unit
 220-240 V ~ 0/50-60 Hz
 DC 176-264 V
 During DC operation the LED power is reduced to 100 %
 DALI controllable
 A basic isolation exists between power cable and control line
 BEGA Thermal Control®
 Temporary thermal regulation to protect temperature-sensitive components without switching off the luminaire
 Safety class I
 Protection class IP 65
 Dust-tight and protection against water jets
 Impact strength IK08
 Protection against mechanical impacts < 5 joule
 CE – Conformity mark
 Wind catching area: 0.09 m²
 Weight: 5.4 kg

Lamp

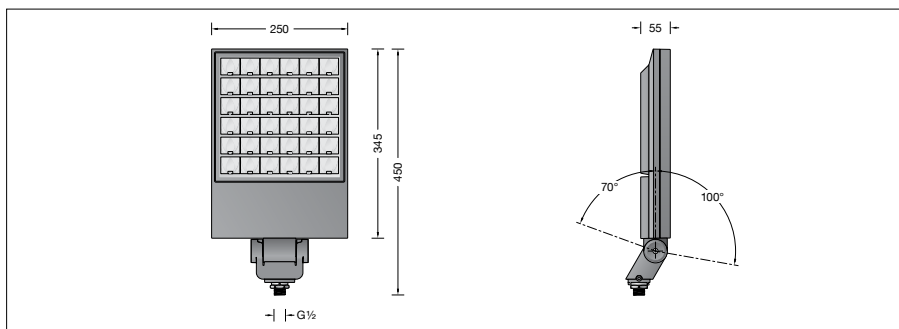
Module connected wattage	94.4 W
Luminaire connected wattage	105 W
Rated temperature	$t_a = 25 \text{ °C}$
Ambient temperature	$t_{a \text{ max}} = 30 \text{ °C}$

Module designation	LED-1023/RGBW
Luminaire luminous flux	4262 lm
Luminaire luminous efficiency	40,6 lm/W

Service life · Ambient temperature

Rated temperature $t_a = 25 \text{ °C}$	
LED psu:	> 50,000h
LED module:	190,000h (L80B50)

Ambient temperature $t_{a \text{ max}} = 30 \text{ °C}$ (100 %)	
LED psu:	50,000h
LED module:	170,000h (L80B50)

**Lighting technology**

Asymmetrical light distribution
 Half beam angle 42/50°
 Luminaire data for the light planning program DIALux for outdoor lighting, street lighting and indoor lighting, as well as luminaire data in EULUMDAT and IES format are available on the BEGA website at www.bega.com.

Article No. 84 347

Colour graphite or silver
 graphite – article number
 silver – article number + A

Accessories

70 214	Pole cap for pole top ø 48 mm
70 248	Pole cap for pole top ø 60 mm
70 249	Pole cap for pole top ø 76 mm
70 229	Pole cap for pole top ø 82 mm
70 221	Mounting box for anchorage unit
70 379	Cross beam

For the accessories a separate instructions for use can be provided upon request.