

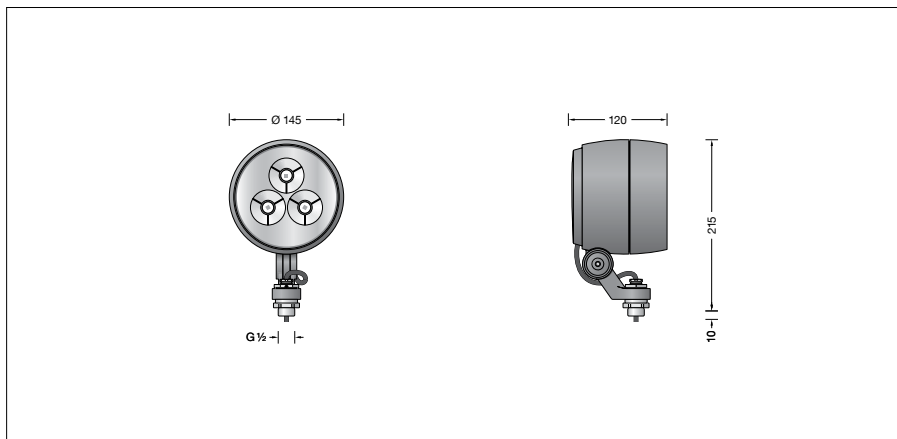
**BEGA****84 330**

Performance floodlight

IP 65

Project · Reference number

Date



## Product data sheet

### Application

LED performance floodlight with G $\frac{1}{2}$  mounting bush in compact design.

The floodlight can be bolted together with any female thread G $\frac{1}{2}$  according to ISO 228 supplied by others or to BEGA accessories. For a variety of interior and exterior lighting applications.

### Product description

Luminaire made of aluminium alloy, aluminium and stainless steel  
 Clear safety glass  
 Silicone gasket  
 Reflector surface made of pure aluminium  
 Optical silicone lens  
 Inside louvre  
 made of glass-fibre reinforced polyamide  
 Rotation range of floodlight 350°  
 Swivel range -30°/+140°  
 Mounting bracket with G $\frac{1}{2}$  threaded connection  
 Thread length: 10 mm  
 Connecting cable X05BQ-F 5 G 1 □  
 Cable length 1 m  
 LED power supply unit  
 220-240 V  $\sim$  0/50-60 Hz  
 DC 176-280 V  
 Dimmable 1-10 V

### SELV (safety extra-low voltage)

A basic isolation exists between power cable and control line  
 Luminaire: Protection class IP 65  
 Dust-tight and protection against water jets  
 BEGA Thermal Switch®  
 Temporary thermal shutdown to protect temperature-sensitive components  
 Safety class I  
 Impact strength IK08  
 Protection against mechanical impacts < 5 joule  
 CE – Conformity mark  
 Wind catching area: 0.02 m<sup>2</sup>  
 Weight: 2.4 kg

### Lamp

Module connected wattage	7.9 W
Luminaire connected wattage	10 W
Rated temperature	t <sub>a</sub> = 25 °C
Ambient temperature	t <sub>a max</sub> = 40 °C

On request we can offer you modifications for environments with higher temperatures as a customized product.

### 84 330 K3

Module designation	LED-0965/830
Colour temperature	3000 K
Colour rendering index	CRI > 80
Module luminous flux	1200 lm
Luminaire luminous flux	383 lm
Luminaire luminous efficiency	38,3 lm/W

### 84 330 K4

Module designation	LED-0965/840
Colour temperature	4000 K
Colour rendering index	CRI > 80
Module luminous flux	1235 lm
Luminaire luminous flux	394 lm
Luminaire luminous efficiency	39,4 lm/W

### Service life · Ambient temperature

Rated temperature t <sub>a</sub> = 25 °C	
LED psu:	> 50,000 h
LED module:	> 200,000 h (L 80 B 50)
	100,000 h (L 90 B 50)

Ambient temperature t<sub>a max</sub> = 40 °C (100 %)

LED psu:	50,000 h
LED module:	> 200,000 h (L 80 B 50)
	100,000 h (L 90 B 50)

### Light technique

Floodlight with narrow beam rotationally symmetrical light distribution with integrated louvre for stray light suppression. Half beam angle 5°

Luminaire data for the light planning program DIALux for outdoor lighting, street lighting and indoor lighting, as well as luminaire data in EULUMDAT and IES format are available on the BEGA website at [www.bega.com](http://www.bega.com).

### Inrush current

Inrush current: 5 A / 50 μs  
 Maximum number of luminaires of this type per miniature circuit breaker:  
 B 10A: 31 luminaires  
 B 16A: 50 luminaires  
 C 10A: 52 luminaires  
 C 16A: 85 luminaires

### Article No. 84 330

LED colour temperature optionally 3000K or 4000K  
 3000 K – Article number + **K3**  
 4000 K – Article number + **K4**

Colour graphite or silver  
 graphite – article number  
 silver – article number + **A**

### Accessories

**71 118** Shield  
**70 214** Pole cap for pole ø 48 mm  
**70 248** Pole cap for pole ø 60 mm  
**70 245** Mounting box  
**70 252** Tree screw  
**70 280** Tube clamp G $\frac{1}{2}$   
**70 283** Screw clamp  
**70 379** Outrigger arm G $\frac{1}{2}$   
**70 889** Tension belt

For the accessories a separate instructions for use can be provided upon request.

### Light distribution

