

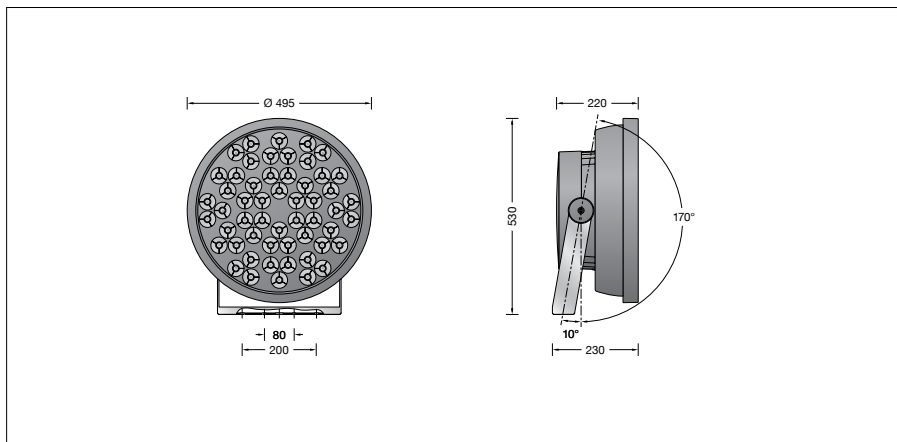
BEGA**84 329**

High-performance floodlight

IP 67

Project · Reference number

Date



Product data sheet

Application

LED high-performance floodlight with very narrow beam light distribution. For a variety of interior and exterior lighting applications.

Product description

Floodlight made of aluminium alloy, aluminium and stainless steel
Clear safety glass
Silicone gasket
Reflector surface made of pure aluminium with integral silicone lens and louvre
Swivel range $-10^{\circ}/+170^{\circ}$
Mounting bracket made of stainless steel
Steel grade no. 1.4301 with
1 central drilling \varnothing 22 mm and
2 fixing holes \varnothing 9 mm · 80 mm spacing
2 fixing holes \varnothing 11.5 mm · 200 mm spacing
1 screw cable gland for mains supply cable from \varnothing 7,5-12 mm
Integrated changeover switch for the limitation of the luminous flux to 70 % · 50 % · 30 %
LED power supply unit
220-240 V \sim 0/50-60 Hz
DC 176-288 V
During DC operation the LED power is reduced to 50 %
DALI controllable
or dimmable 1-10 V
Safety class I
Protection class IP 67
Dust-tight and protection against temporary immersion
Impact strength IK08
Protection against mechanical impacts < 5 joule
CE – Conformity mark
Wind catching area: 0.2 m²
Weight: 19.0 kg

Lamp

Module connected wattage 250.2 W
Luminaire connected wattage 270 W
Rated temperature $t_a = 25^{\circ}\text{C}$
Ambient temperature $t_{a\text{max}} = 25^{\circ}\text{C}$

On request we can offer you modifications for environments with higher temperatures as a customized product.

84 329 K3

Module designation 18x LED-0965/830
Colour temperature 3000 K
Colour rendering index CRI > 80
Module luminous flux 33840 lm
Luminaire luminous flux 7935 lm
Luminaire luminous efficiency 29,4 lm/W

84 329 K4

Module designation 18x LED-0965/840
Colour temperature 4000 K
Colour rendering index CRI > 80
Module luminous flux 34830 lm
Luminaire luminous flux 8167 lm
Luminaire luminous efficiency 30,2 lm/W

Service life · Ambient temperature

Rated temperature $t_a = 25^{\circ}\text{C}$
LED psu: > 50,000h
LED module: 160,000h (L80B50)

Ambient temperature $t_{a\text{max}} = 25^{\circ}\text{C}$ (100 %)
LED psu: 50,000h
LED module: 160,000h (L80B50)

Lighting technology

Very narrow beam rotationally symmetrical light distribution.
Half beam angle 5°
Luminaire data for the light planning program DIALux for outdoor lighting, street lighting and indoor lighting, as well as luminaire data in EULUMDAT and IES format are available on the BEGA website at www.bega.com.

Article No. 84 329

LED colour temperature optionally 3000 K or 4000 K
3000 K – Article number + **K3**
4000 K – Article number + **K4**

Accessories

Mounting box and mounting base for permanent mounting of floodlights on pillars, walls and ceilings

70 225 Mounting box IP 65
70 348 Mounting box IP 55
70 208 Mounting base h = 120 mm

Pole caps for mounting a floodlight on a pole

70 342 Pole cap for \varnothing 76 mm
70 343 Pole cap for \varnothing 89 mm

Outrigger arm for the installation of one floodlight at BEGA steel poles or on walls
70 391 Outrigger arm

Pole caps for mounting 1-2 outrigger arms on top of a steel pole

70 387 Pole cap for pole \varnothing 76 mm
70 388 Pole cap for pole \varnothing 89 mm

Pole top attachments for multi-arrangement of floodlights on a steel pole

70 762 Pole top attach. for 2 floodlights
70 763 Pole top attach. for 3 floodlights
70 764 Pole top attach. for 4 floodlights

Cross beams for floodlights for mounting on walls, under ceilings or on the floor

70 761 Cross beam for 3 floodlights
70 765 Cross beam for 6 floodlights

71 071 Fixing of floodlight

71 101 Shield
The shield can be screwed on and prevents lateral glare from one direction up to an angle of 45° .

For the accessories a separate instructions for use can be provided upon request.

Light distribution

