

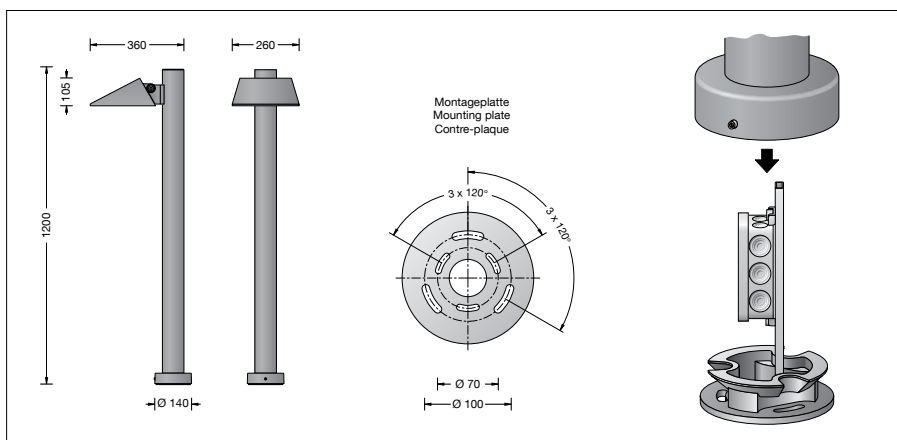
BEGA**84 304**

Bollard

IP 65

Project · Reference number

Date



Product data sheet

Application

LED bollard with asymmetrical flat beam light distribution for the illumination of smaller driveways and streets as well as paths. The luminaire housing is adjustable, allowing the light distribution to be adapted to the requirements of the installation site.

Product description

Luminaire made of aluminium alloy, aluminium and stainless steel
 Matt safety glass
 Silicone gasket
 Reflector surface made of pure aluminium
 Swivel range 90°
 Luminaire with mounting plate for bolting onto a foundation or an anchorage unit
 Mounting plate with two pitch circles:
 \varnothing 70 mm, 3 elongated holes 7 mm wide
 \varnothing 100 mm, 3 elongated holes 9 mm wide
 Luminaire can be aligned on the mounting plate around 360°
 Mounting bracket with connection box for through-wiring of up to 5 x 2,5²
 LED power supply unit
 220-240 V \sim 0/50-60 Hz
 DC 176-276 V
 DALI controllable
 A basic isolation exists between power cable and control line
 Safety class I
 Protection class IP 65
 Dust-tight and protection against water jets
 Impact strength IK07
 Protection against mechanical impacts < 2 joule
CE – Conformity mark
 Weight: 7.0 kg

Lamp

Module connected wattage 13.6 W
 Luminaire connected wattage 16 W
 Rated temperature $t_a = 25$ °C
 Ambient temperature $t_{a \max} = 55$ °C

84 304 K3

Module designation 2x LED-0969/830
 Colour temperature 3000 K
 Colour rendering index CRI > 80
 Module luminous flux 2630 lm
 Luminaire luminous flux 2054 lm
 Luminaire luminous efficiency 128,4 lm/W

84 304 K4

Module designation 2x LED-0969/840
 Colour temperature 4000 K
 Colour rendering index CRI > 80
 Module luminous flux 2700 lm
 Luminaire luminous flux 2109 lm
 Luminaire luminous efficiency 131,8 lm/W

Service life · Ambient temperature

Rated temperature $t_a = 25$ °C
 LED psu: > 50,000 h
 LED module: > 200,000 h (L 80 B 50)
 100,000 h (L 90 B 50)

Ambient temperature $t_{a \max} = 55$ °C (100 %)

LED psu: 50,000 h
 LED module: 83,000 h (L 80 B 50)
 100,000 h (L 70 B 50)

Light technique

Luminaire data for the light planning program DIALux for outdoor lighting, street lighting and indoor lighting as well as luminaire data in EULUMDAT- and IES-format you will find on the BEGA web page www.bega.com.

Inrush current

Inrush current: 12 A / 24.2 μ s
 Maximum number of luminaires of this type per miniature circuit breaker:
 B 10A: 50 luminaires
 B 16A: 50 luminaires
 C 10A: 50 luminaires
 C 16A: 50 luminaires

Article No. 84 304

LED colour temperature optionally 3000 K or 4000 K
 3000 K – Article number + **K3**
 4000 K – Article number + **K4**

Colour graphite or silver
 graphite – article number
 silver – article number + **A**

Accessory

70 895 Anchorage unit with mounting flange made of hot-dip galvanised steel. Total length 400 mm. 3 stainless steel fixing screws M8. Pitch circle \varnothing 100 mm.

See the separate instructions for use.

Light distribution

