

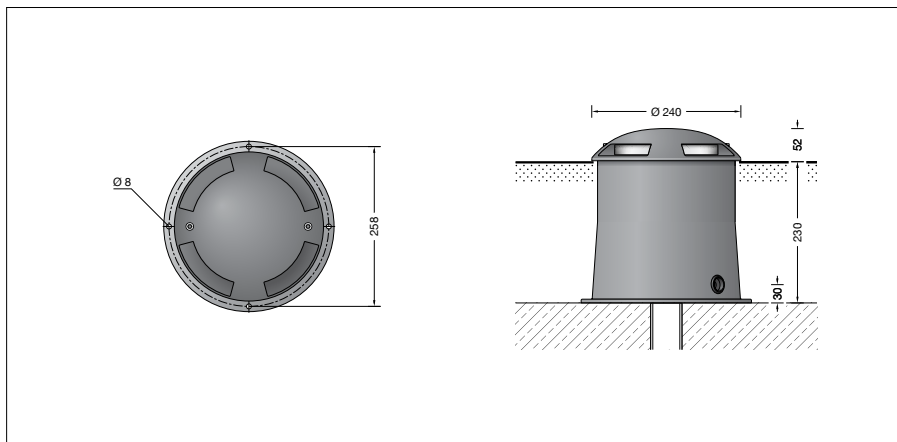
**BEGA****84 271**

In-ground luminaire

IP 67

Project · Reference number

Date



## Product data sheet

**Product description**

Luminaires and installation housings made of highly corrosion-resistant aluminium  
 BEGA Tricoat® coating technology  
 Ring made of glass fibre reinforced synthetic material  
 Borosilicate glass  
 Reflector surface made of pure aluminium  
 Optical silicone lens · BEGA Hybrid Optics®  
 Recess housing with cable entry for cable conduit, max  $\varnothing$  20 mm  
 1,8 m water-resistant connecting cable 07RN8-F 5 G 1<sup>□</sup> with implemented water stopper and 1.2 m PVC cable conduit  
 LED power supply unit  
 220-240 V  $\sim$  0/50-60 Hz  
 DC 176-264 V  
 DALI controllable  
 A basic isolation exists between power cable and control line  
 BEGA Thermal Control®  
 Temporary thermal regulation to protect temperature-sensitive components without switching off the luminaire  
 Safety class I  
 Protection class IP 67  
 Dust-tight and protection against temporary immersion  
 Pressure load 4,000 kg (~40 kN)  
 Impact strength IK10  
 Protection against mechanical impacts < 20 joule  
**CE** – Conformity mark  
 Weight: 5.9 kg

**Application**

In-ground luminaire with four-sided light sectors. For recessed mounting in compacted surfaces, paths and places.  
 An orientation and indication luminaire also for marking peril points.  
 Drive-over luminaire for vehicles with pneumatic tyres.

**Please note:**

Luminaire must not be used for installation in road lanes, where the fixture is exposed to a horizontal strain due to braking, acceleration and change of direction.

**Lamp**

Module connected wattage	20 W
Luminaire connected wattage	22.3 W
Rated temperature	$t_a = 25\text{ °C}$
Ambient temperature	$t_{a\text{ max}} = 50\text{ °C}$
When installed in heat-insulating material	$t_{a\text{ max}} = 35\text{ °C}$

**84 271 K3**

Module designation	LED-0959/830
Colour temperature	3000 K
Colour rendering index	CRI > 80
Module luminous flux	2880 lm
Luminaire luminous flux	538 lm
Luminaire luminous efficiency	24,1 lm/W

**84 271 K4**

Module designation	LED-0959/840
Colour temperature	4000 K
Colour rendering index	CRI > 80
Module luminous flux	3100 lm
Luminaire luminous flux	579 lm
Luminaire luminous efficiency	26 lm/W

**Inrush current**

Inrush current: 5 A / 100  $\mu$ s  
 Maximum number of luminaires of this type per miniature circuit breaker:  
 B 10A: 56 luminaires  
 B 16A: 90 luminaires  
 C 10A: 56 luminaires  
 C 16A: 90 luminaires

**Light technique**

The optical system of the luminaire directs the light in a concentrated way horizontally to the lamp axis.

This results in a glare free illumination of the surface from lowest height.

The light emittance angle is  $4 \times 60^\circ$ .

**Service life · Ambient temperature**

Rated temperature $t_a = 25\text{ °C}$	
LED psu:	> 50,000 h
LED module:	> 200,000 h (L.80 B 50) 100,000 h (L.90 B 50)

Ambient temperature  $t_{a\text{ max}} = 50\text{ °C}$  (100 %)

LED psu:	50,000 h
LED module:	> 200,000 h (L.80 B 50) 100,000 h (L.90 B 50)

**Article No. 84 271**

LED colour temperature optionally 3000 K or 4000 K

3000 K – Article number + **K3**  
 4000 K – Article number + **K4**

**Accessories**

Distribution box for installation in soil  
**70 730** Distribution box with 7 cable entries  
 Connection terminals  $5 \times 4^\square$   
**71 053** Distribution box with 10 cable entries  
 Connection terminals  $6 \times 16^\square$

**Light distribution**