

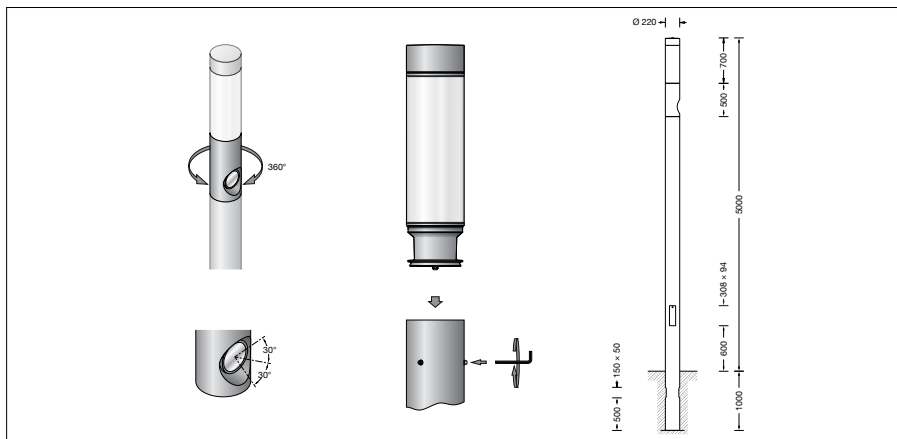
BEGA**84 263**

Light building element



Project · Reference number

Date



Product data sheet

Product description

Luminaire made of aluminium alloy, aluminium and stainless steel
 BEGA Unidure® coating technology
 Synthetic diffuser, clear
 Reflector of anodised pure aluminium
 Inclination angle of the individual floodlight is adjustable from 0° to 30°, adjustable 360° around the vertical axis of the light building element
 Floodlight segment can be rotated by 360° around the vertical axis of the light building element
 Pole made of aluminium
 2 opposing cable entry points 150 × 50 mm
 Screw-on ground plate approx. 250 × 250 mm
 Length of anchorage section 1000 mm
 With inserted door made of die cast aluminium
 Square door latch (wrench size 8)
 Connection box 71 084 for through-wiring – for 2 cables up to 7 × 6²
 Terminal connection L1 · L2 · L3 · N · PE
 2 connecting terminals for connecting DALI control cables
 Fuse terminal with micro fuse
 6,3 A slow σ 5 × 20 mm
 LED power supply unit
 220-240 V \sim 0/50-60 Hz
 DC 176-264 V
 During DC operation the LED power is reduced to 50 %
 DALI controllable
 A basic isolation exists between power cable and control line
 BEGA Thermal Control®
 Temporary thermal regulation to protect temperature-sensitive components without switching off the luminaire
 Safety class I
 Protection class IP 65
 Dust-tight and protection against water jets
 Impact strength IK06
 Protection against mechanical impacts < 1 joule
 – Safety mark
 – Conformity mark
 Weight: 47.1 kg

Application

LED light building element with asymmetrical light distribution for lighting and designing squares, access roads and entrance areas. With adjustable LED floodlight for the illumination of architectonic details in the immediate vicinity of the luminaires.

Inrush current

Inrush current: 5 A / 100 μ s
 Maximum number of luminaires of this type per miniature circuit breaker:
 B 10A: 27 luminaires
 B 16A: 44 luminaires
 C 10A: 27 luminaires
 C 16A: 44 luminaires

Light technique

Luminaire data for the light planning program DIALux for outdoor lighting, street lighting and indoor lighting as well as luminaire data in EULUMDAT- and IES-format you will find on the BEGA web page www.bega.com.

Accessories

10047 Exchangeable lens wide beam
10016 Exchangeable lens flat beam

For the accessories a separate instructions for use can be provided upon request.

Article No. 84 263

LED colour temperature optionally 3000K or 4000K
 3000 K – Article number + **K3**
 4000 K – Article number + **K4**

Colour graphite or silver
 graphite – article number
 silver – article number + **A**

Lamp**Luminaire head**

Module connected wattage	46.8 W
Luminaire connected wattage	52 W
Rated temperature	$t_a = 25$ °C
Service life criteria	50 000 h / L ₇₀

84 263 K3

Module designation	LED-0502/830
Colour temperature	3000 K
Colour rendering index	CRI > 80
Module luminous flux	8905 lm
Luminaire luminous flux	6217 lm
Luminaire luminous efficiency	119,6 lm/W

84 263 K4

Module designation	LED-0502/840
Colour temperature	4000 K
Colour rendering index	CRI > 80
Module luminous flux	9160 lm
Luminaire luminous flux	6396 lm
Luminaire luminous efficiency	123 lm/W

Floodlight

Module connected wattage	11.5 W
Floodlight connected wattage	13 W
Rated temperature	$t_a = 25$ °C
Service life criteria	50 000 h / L ₇₀

84 263 K3

Module designation	LED-0833/830
Colour temperature	3000 K
Colour rendering index	CRI > 80
Module luminous flux	1830 lm
Luminaire luminous flux	1017 lm
Luminaire luminous efficiency	78,2 lm/W

84 263 K4

Module designation	LED-0833/840
Colour temperature	4000 K
Colour rendering index	CRI > 80
Module luminous flux	2010 lm
Luminaire luminous flux	1117 lm
Luminaire luminous efficiency	85,9 lm/W

For special lighting applications, it is possible to alter the symmetrical light cone to create wide beam or flat beam light distribution by changing the cover glass.

Light distribution