

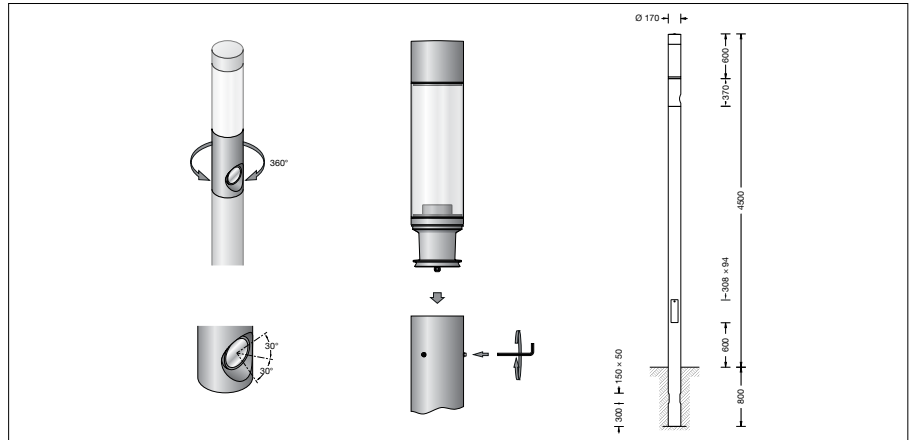
**BEGA****84 262**

Light building element



Project · Reference number

Date



## Product data sheet

**Product description**

Luminaire made of aluminium alloy, aluminium and stainless steel  
 Synthetic diffuser, clear  
 Reflector of anodised pure aluminium  
 Inclination angle of the individual floodlight is adjustable from 0° to 30°, adjustable 360°  
 Floodlight segment can be rotated by 360° around the vertical axis of the light building element  
 Pole made of aluminium  
 2 opposing cable entry points 150 × 50 mm  
 Screw-on ground plate approx. 250 × 250 mm  
 Length of anchorage section 800 mm  
 With inserted door made of die cast aluminium  
 Square door latch (wrench size 8 mm)  
 Connection box 71 084  
 for through-wiring – for 2 cables up to 7 × 6<sup>2</sup>  
 Terminal connection L1 · L2 · L3 · N · PE  
 2 connecting terminals for connecting DALI control cables  
 Fuse terminal with micro fuse  
 6,3 A slow  $\phi$  5 × 20 mm  
 LED power supply unit  
 220-240 V  $\sim$  0/50-60 Hz  
 DC 176-264 V  
 During DC operation the LED power is reduced to 50 %  
 DALI controllable  
 A basic isolation exists between power cable and control line  
 Safety class I  
 Protection class IP 65  
 Dust-tight and protection against water jets  
 Impact strength IK10  
 Protection against mechanical impacts < 20 joule  
 Luminaire head: Impact strength IK10  
 Protection against mechanical impacts < 20 joule  
 Floodlight: Impact strength IK07  
 Protection against mechanical impacts < 2 joule  
 – Safety mark  
 – Conformity mark  
 Weight: 39.6 kg

**Lamp****Luminaire head**

Module connected wattage 29.4 W  
 Luminaire connected wattage 33 W  
 Rated temperature  $t_a = 25$  °C  
 Ambient temperature  $t_{a,max} = 50$  °C

**84 262 K4**

Module designation LED-0431/840  
 Colour temperature 4000 K  
 Colour rendering index CRI > 80  
 Module luminous flux 5720 lm  
 Luminaire luminous flux 3741 lm  
 Luminaire luminous efficiency 113,4 lm/W

**84 262 K3**

Module designation LED-0431/830  
 Colour temperature 3000 K  
 Colour rendering index CRI > 80  
 Module luminous flux 5560 lm  
 Luminaire luminous flux 3636 lm  
 Luminaire luminous efficiency 110,2 lm/W

**Floodlight**

Module connected wattage 2x 5,7 W  
 Floodlight connected wattage 14 W  
 Rated temperature  $t_a = 25$  °C  
 Ambient temperature  $t_{a,max} = 50$  °C

**84 262 K4**

Module designation 2x LED-0438/840  
 Colour temperature 4000 K  
 Colour rendering index CRI > 80  
 Module luminous flux 2010 lm  
 Luminaire luminous flux 1216 lm  
 Luminaire luminous efficiency 86,9 lm/W

**84 262 K3**

Module designation 2x LED-0438/830  
 Colour temperature 3000 K  
 Colour rendering index CRI > 80  
 Module luminous flux 1830 lm  
 Luminaire luminous flux 1108 lm  
 Luminaire luminous efficiency 79,1 lm/W

For special lighting applications, it is possible to alter the symmetrical light cone to create wide beam or flat beam light distribution by changing the cover glass.

**Application**

LED light building element with asymmetrical light distribution for lighting and designing squares, access roads and entrance areas. With 2 adjustable LED floodlights for the illumination of architectural details in the immediate vicinity of the luminaires.

**Inrush current**

Inrush current: 5 A / 100  $\mu$ s  
 Maximum number of luminaires of this type per miniature circuit breaker:  
 B 10A: 27 luminaires  
 B 16A: 44 luminaires  
 C 10A: 27 luminaires  
 C 16A: 44 luminaires

**Light technique**

Luminaire data for the light planning program DIALux for outdoor lighting, street lighting and indoor lighting as well as luminaire data in EULUMDAT- and IES-format you will find on the BEGA web page [www.bega.com](http://www.bega.com).

**Service life of the LED**

Ambient temperature  $t_a = 25$  °C  
 – at > 500,000h: L70B50

max. ambient temperature  $t_a = 50$  °C  
 – at 144,000h: L70B50

**Article No. 84 262**

LED colour temperature optionally 3000 K or 4000 K  
 3000 K – Article number + **K3**  
 4000 K – Article number + **K4**

Colour graphite or silver  
 graphite – article number  
 silver – article number + **A**

**Accessories**

**10 043** Exchangeable lens wide beam  
**10 014** Exchangeable lens flat beam

For the accessories a separate instructions for use can be provided upon request.

**Light distribution**