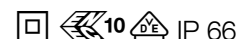


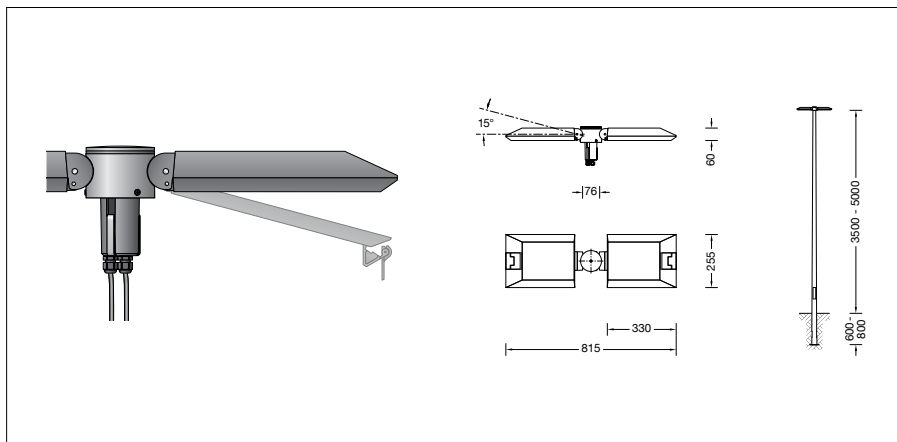
BEGA**84 253**

Pole top luminaire



Project · Reference number

Date



Product data sheet

Application

LED pole top luminaire with asymmetrical light distribution for in-depth illumination of surfaces and squares.

For mounting heights 4000 - 6000 mm.

Product description

Luminaire made of aluminium alloy, aluminium and stainless steel
 Safety glass, antireflection-coated
 Silicone gasket
 Reflector made of pure anodised aluminium
 Toolless closure
 Adjustable joint for beam direction 0° or 15°
 For pole top \varnothing 76 mm
 Inner diameter of the pole min.62 / max.70 mm
 Slip fitter insert depth 90 mm
 Connecting cable X05BQ-F 4 x 1²
 Cable length 6 m
 LED power supply unit
 220-240 V \sim 0/50-60 Hz
 DC 176-276 V
 DALI controllable
 A basic isolation exists between power cable and control line
 BEGA Thermal Control®
 Temporary thermal regulation to protect temperature-sensitive components without switching off the luminaire
 Safety class II
 Protection class IP 66
 Dust-tight and protection against strong water jets
 Impact strength IK08
 Protection against mechanical impacts < 5 joule
 - Safety mark
 - Conformity mark
 Horizontal wind catching area: 0.03 m²
 Weight: 9.3 kg

Lamp

Module connected wattage 2x 12.6 W
 Luminaire connected wattage 29.2 W
 Rated temperature $t_a = 25$ °C
 Ambient temperature $t_{a,max} = 60$ °C

84 253 K4

Module designation 2x LED-0970/840
 Colour temperature 4000 K
 Colour rendering index CRI > 80
 Module luminous flux 5020 lm
 Luminaire luminous flux 4126 lm
 Luminaire luminous efficiency 141,3 lm/W

84 253 K3

Module designation 2x LED-0970/830
 Colour temperature 3000 K
 Colour rendering index CRI > 80
 Module luminous flux 4890 lm
 Luminaire luminous flux 4019 lm
 Luminaire luminous efficiency 137,6 lm/W

Service life · Ambient temperature

Rated temperature $t_a = 25$ °C
 LED psu: > 50,000 h
 LED module: > 200,000 h (L 80 B 50)
 100,000 h (L 90 B 50)

Ambient temperature $t_{a,max} = 60$ °C (100 %)

LED psu: 50,000 h
 LED module: 125,000 h (L 80 B 50)

Light technique

Luminaire data for the light planning program DIALux for outdoor lighting, street lighting and indoor lighting as well as luminaire data in EULUMDAT- and IES-format you will find on the BEGA web page www.bega.com.

Inrush current

Inrush current: 12 A / 24.2 μ s
 Maximum number of luminaires of this type per miniature circuit breaker:
 B 10A: 50 luminaires
 B 16A: 50 luminaires
 C 10A: 50 luminaires
 C 16A: 50 luminaires

Article No. 84 253

LED colour temperature optionally 4000 K or 3000 K

4000 K – Article number + **K4**
 3000 K – Article number + **K3**

Colour graphite or silver
 graphite – article number
 silver – article number + **A**

Accessories

For this luminaire we recommend the following BEGA luminaire poles:

Tapered aluminium poles · lacquered with access door and C-clamp

70914 Pole with anch.section	H 4000 mm
70725 Pole with anch.section	H 4500 mm
70915 Pole with anch.section	H 5000 mm
70916 Pole with anch.section	H 6000 mm
70791 Pole with baseplate	H 4000 mm
70792 Pole with baseplate	H 4500 mm
70794 Pole with baseplate	H 5000 mm

Cylindrically stepped aluminium poles, lacquered with door und C rail

70901 Pole with anch.section	H 4000 mm
70903 Pole with anch.section	H 5000 mm
70905 Pole with anch.section	H 6000 mm
70900 Pole with baseplate	H 4000 mm
70902 Pole with baseplate	H 5000 mm
70904 Pole with baseplate	H 6000 mm

For this luminaire additional accessories are available – see BEGA web page www.bega.com.

Light distribution