

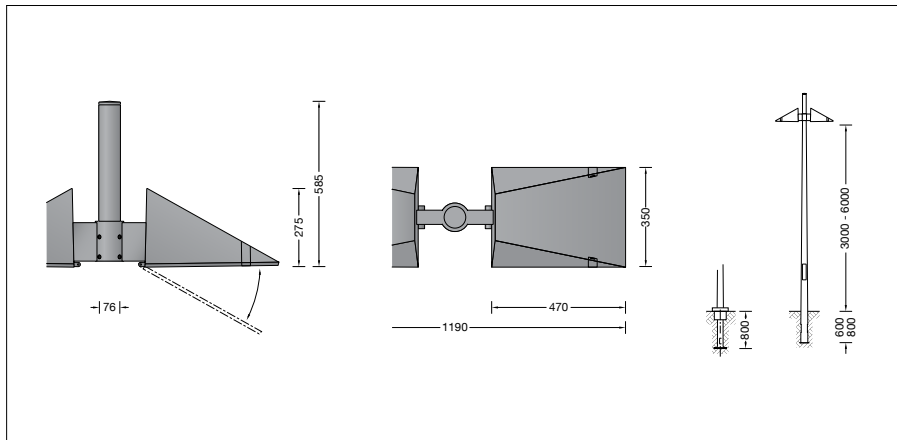
BEGA**84 243**

Pole top luminaire



Project · Reference number

Date

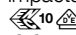


Product data sheet

Application

LED pole top luminaire with asymmetrical flat beam light distribution.
The asymmetrical and flat beam light distribution is suitable especially for the illumination of streets according to DIN EN 13201.
For mounting heights 3000 - 6000 mm.

Product description

Luminaire made of aluminium alloy, aluminium and stainless steel
Safety glass with optical structure
Silicone gasket
Reflector made of pure anodised aluminium
For pole top \varnothing 76 mm
Slip fitter insert depth 135 mm
2 x Connecting cable X05BQ-F 5G 1[□]
Cable length 6 m
LED power supply unit
220-240 V \sim 0/50-60 Hz
DC 176-264 V
During DC operation the LED power is reduced to 50 %
DALI controllable
A basic isolation exists between power cable and control line
BEGA Thermal Control®
Temporary thermal regulation to protect temperature-sensitive components without switching off the luminaire
Safety class I
Protection class IP 66
Dust-tight and protection against strong water jets
Impact strength IK08
Protection against mechanical impacts < 5 joule
 – Safety mark
CE – Conformity mark
Horizontal wind catching area: 0.21 m²
Weight: 23.8 kg

Lamp

Module connected wattage 2x 23.2 W
Luminaire connected wattage 52 W
Rated temperature $t_a = 25$ °C
Ambient temperature $t_{a,max} = 55$ °C

84 243 K4

Module designation 4x LED-0403/840
Colour temperature 4000 K
Colour rendering index CRI > 80
Module luminous flux 9280 lm
Luminaire luminous flux 6944 lm
Luminaire luminous efficiency 133,5 lm/W

84 243 K3

Module designation 4x LED-0403/830
Colour temperature 3000 K
Colour rendering index CRI > 80
Module luminous flux 9020 lm
Luminaire luminous flux 6770 lm
Luminaire luminous efficiency 130,2 lm/W

Service life of the LED

Ambient temperature $t_a = 25$ °C
– at > 500,000h: L 70 B 50

max. ambient temperature $t_a = 55$ °C
– at 179,000h: L 70 B 50

Light technique

Luminaire data for the light planning program DIALux for outdoor lighting, street lighting and indoor lighting as well as luminaire data in EULUMDAT- and IES-format you will find on the BEGA web page www.bega.com.

Inrush current

Inrush current: 8 A / 100 μ s
Maximum number of luminaires of this type per miniature circuit breaker:
B 10A: 13 luminaires
B 16A: 22 luminaires
C 10A: 13 luminaires
C 16A: 22 luminaires

Article No. 84 243

LED colour temperature optionally 3000 K or 4000 K
3000 K – Article number + **K3**
4000 K – Article number + **K4**

Colour graphite or silver
graphite – article number
silver – article number + **A**

Accessories

For this luminaire we recommend the following BEGA luminaire poles:

Tapered aluminium poles · lacquered
with access door and C-clamp

70 918 Pole with anch.section	H 3000 mm
70 913 Pole with anch.section	H 3500 mm
70 914 Pole with anch.section	H 4000 mm
70 725 Pole with anch.section	H 4500 mm
70 915 Pole with anch.section	H 5000 mm
70 916 Pole with anch.section	H 6000 mm

70 788 Pole with baseplate	H 3000 mm
70 789 Pole with baseplate	H 3500 mm
70 791 Pole with baseplate	H 4000 mm
70 792 Pole with baseplate	H 4500 mm
70 794 Pole with baseplate	H 5000 mm

Tapered steel poles without visible welding seam - hot-dip galvanised and lacquered
with access door and C-clamp

70 888 Pole with anch.section	H 3000 mm
70 885 Pole with anch.section	H 3500 mm
70 884 Pole with anch.section	H 4000 mm
70 887 Pole with anch.section	H 4500 mm
70 886 Pole with anch.section	H 5000 mm
70 834 Pole with anch.section	H 6000 mm

For suitable connection boxes please see the instructions for use of the luminaire poles.

Light distribution