

BEGA**84 239**

Bollard

IP 65

Project · Reference number

Date

Product data sheet

Application

Shielded LED bollard with asymmetrical light distribution for the illumination of paths, squares, access roads and entry areas.

Product description

Luminaire made of aluminium profile, aluminium alloy, aluminium and stainless steel
 Safety glass with optical structure
 Silicone gasket
 Reflector made of pure anodised aluminium
 Luminaire with mounting plate for bolting onto a foundation or an anchorage unit
 Mounting plate with two pitch circles:
 \varnothing 100 mm, 3 elongated holes 9 mm wide
 \varnothing 132 mm, 3 elongated holes 9 mm wide
 Luminaire can be aligned on the mounting plate around 360°
 Connection box for through-wiring
 – for 2 cables up to $5 \times 2,5^2$
 Fuse terminal with micro fuse
 6.3 A slow $\varnothing 5 \times 20$ mm
 LED power supply unit
 220-240 V \sim 0/50-60 Hz
 DC 176-276 V
 DALI controllable
 A basic isolation exists between power cable and control line
 Safety class I
 Protection class IP 65
 Dust-tight and protection against water jets
 Impact strength IK07
 Protection against mechanical impacts < 2 joule
CE – Conformity mark
 Weight: 6.3 kg

Inrush current

Inrush current: 4 A / 30 μ s
 Maximum number of luminaires of this type per miniature circuit breaker:
 B 10A: 50 luminaires
 B 16A: 50 luminaires
 C 10A: 50 luminaires
 C 16A: 50 luminaires

Lamp

Module connected wattage 11.5 W
 Luminaire connected wattage 13.8 W
 Rated temperature $t_a = 25$ °C
 Ambient temperature $t_{a \max} = 50$ °C

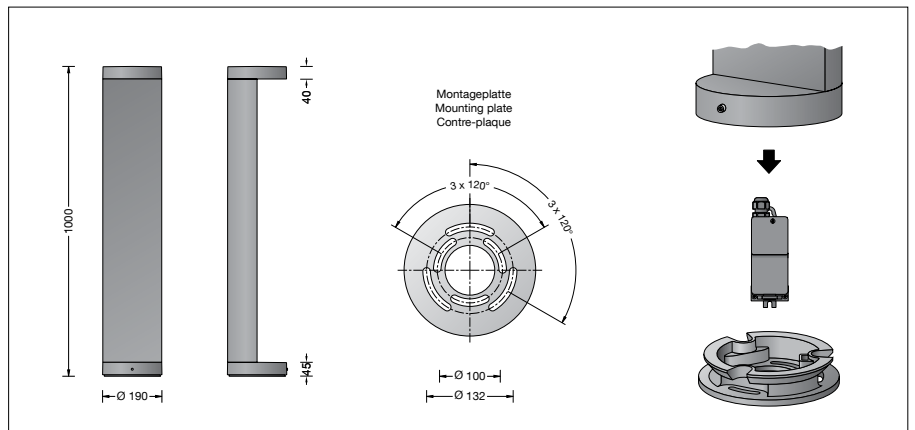
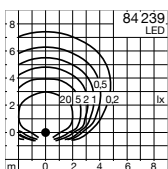
84 239 K3

Module designation LED-0983/830
 Colour temperature 3000 K
 Colour rendering index CRI > 80
 Module luminous flux 2270 lm
 Luminaire luminous flux 1694 lm
 Luminaire luminous efficiency 122,8 lm/W

84 239 K4

Module designation LED-0983/840
 Colour temperature 4000 K
 Colour rendering index CRI > 80
 Module luminous flux 2335 lm
 Luminaire luminous flux 1743 lm
 Luminaire luminous efficiency 126,3 lm/W

Light distribution



Service life · Ambient temperature

Rated temperature $t_a = 25$ °C
 LED psu: > 50,000 h
 LED module: > 200,000 h (L80 B50)
 100,000 h (L90 B50)

Ambient temperature $t_{a \max} = 50$ °C (100 %)
 LED psu: 50,000 h
 LED module: 195,000 h (L80 B50)
 100,000 h (L90 B50)

Light technique

Luminaire data for the light planning program DIALux for outdoor lighting, street lighting and indoor lighting as well as luminaire data in EULUMDAT- and IES-format you will find on the BEGA web page www.bega.com.

Article No. 84 239

LED colour temperature optionally 3000 K or 4000 K
 3000 K – Article number + **K3**
 4000 K – Article number + **K4**

Colour graphite or silver
 graphite – article number
 silver – article number + **A**

Accessory

70 895 Anchorage unit with mounting flange made of hot-dip galvanised steel. Total length 400 mm. 3 stainless steel fixing screws M8. Pitch circle \varnothing 100 mm.

For the accessories a separate instructions for use can be provided upon request.