

Project · Reference number

Date

Product data sheet**Application**

Light design elements with genuine Kebony Clear wood seating for structuring and dividing areas and spaces in both the public and private sectors. Symmetrical wide beam light emission below the horizontal plane.

Product description

The luminaire consists of aluminium profiles, cast aluminium and stainless steel
 Genuine Kebony Clear wood seating
 Matt safety glass
 2 Mounting plates with 2 elongated holes, width 10 mm, 250 mm spacing
 Connection box with cable entries for through-wiring of mains supply cable up to \varnothing 18 mm max. 5×2.5^2
 Connecting terminal 5×4^2
 LED power supply unit
 220-240 V \sim 0/50-60 Hz
 DC 176-280 V
 DALI controllable
 A basic isolation exists between power cable and control line
 Safety class I
 Protection class IP 65
 Dust-tight and protection against water jets
 Impact strength IK08
 Protection against mechanical impacts < 5 joule
CE – Conformity mark
 Weight: 24.2 kg

Inrush current

Inrush current: 5 A / 50 μ s
 Maximum number of luminaires of this type per miniature circuit breaker:
 B10A: 31 luminaires
 B16A: 50 luminaires
 C10A: 52 luminaires
 C16A: 85 luminaires

Lamp

| | |
|-----------------------------|--------------------------------------|
| Module connected wattage | 5.6 W |
| Luminaire connected wattage | 7.4 W |
| Rated temperature | $t_a = 25^\circ\text{C}$ |
| Ambient temperature | $t_{a\text{max}} = 40^\circ\text{C}$ |

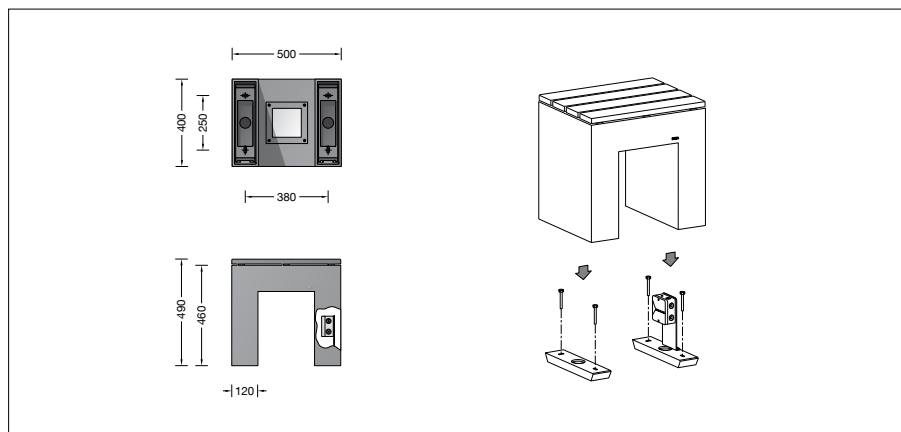
On request we can offer you modifications for environments with higher temperatures as a customized product.

84 237 K3

| | |
|-------------------------------|--------------|
| Module designation | LED-0357/830 |
| Colour temperature | 3000 K |
| Colour rendering index | CRI > 80 |
| Module luminous flux | 1165 lm |
| Luminaire luminous flux | 554 lm |
| Luminaire luminous efficiency | 74,9 lm/W |

84 237 K4

| | |
|-------------------------------|--------------|
| Module designation | LED-0357/840 |
| Colour temperature | 4000 K |
| Colour rendering index | CRI > 80 |
| Module luminous flux | 1195 lm |
| Luminaire luminous flux | 574 lm |
| Luminaire luminous efficiency | 77,6 lm/W |

**Service life · Ambient temperature**

| | |
|--|-----------------------|
| Ambient temperature $t_a = 25^\circ\text{C}$ | LED psu: > 50,000 h |
| LED module: > 200,000 h (L.80 B.50) | 100,000 h (L.90 B.50) |

| | |
|--|-----------------------|
| Ambient temperature $t_a = 40^\circ\text{C}$ | LED psu: 50,000 h |
| LED module: > 200,000 h (L.80 B.50) | 100,000 h (L.90 B.50) |

Light technique

Luminaire data for the light planning program DIALux for outdoor lighting, street lighting and indoor lighting as well as luminaire data in EULUMDAT- and IES-format you will find on the BEGA web page www.bega.com.

Article No. 84 237

LED colour temperature optionally 3000 K or 4000 K
 3000 K – Article number + **K3**
 4000 K – Article number + **K4**

Colour graphite or silver
 graphite – article number
 silver – article number + **A**