

BEGA**84 234**

Performance floodlight

IP 65

Project · Reference number

Date

Product data sheet**Application**

LED performance floodlight with mounting box in compact design.

Product description

Luminaire made of aluminium alloy,
aluminium and stainless steel
BEGA Unidure® coating technology
Silicone gasket
Safety glass with optical structure
BEGA Vortex Optics®
Reflector surface made of pure aluminium
Rotation range of floodlight 350°
Swivel range -90°/+90°
Mounting box with 2 fixing holes
ø 5.5 mm · 85 mm spacing
2 cable entries for through-wiring of mains
supply cable ø 7-10.5 mm, max. 5G1.5[□]
Connecting terminal 2.5[□]
with plug connection
Earth conductor connection
LED power supply unit
220-240 V ~ 0/50-60 Hz
DC 176-264 V
DALI controllable
A basic isolation exists between power cable
and control line
BEGA Thermal Control®
Temporary thermal regulation to protect
temperature-sensitive components without
switching off the luminaire
Safety class I
Protection class IP 65
Dust-tight and protection against water jets
Impact strength IK08
Protection against mechanical
impacts < 5 joule
CE – Conformity mark
Wind catching area: 0.09 m²
Weight: 5.7 kg

Lamp

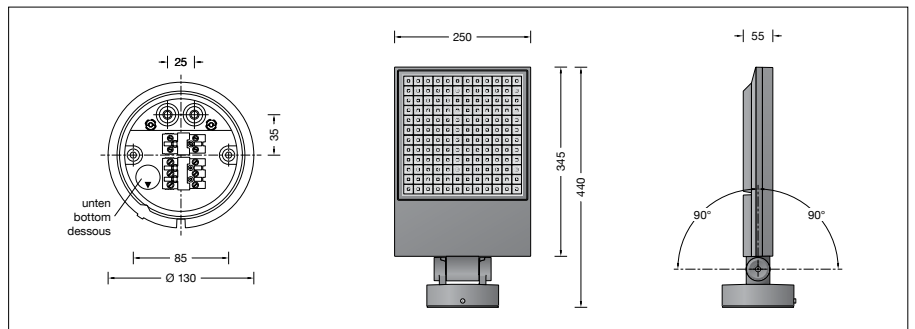
Module connected wattage	95.6 W
Luminaire connected wattage	105 W
Rated temperature	$t_a = 25 \text{ }^\circ\text{C}$
Ambient temperature	$t_{a, \text{max}} = 25 \text{ }^\circ\text{C}$

84 234 K3

Module designation	4x LED-0998/830
Colour temperature	3000 K
Colour rendering index	CRI > 80
Module luminous flux	16360 lm
Luminaire luminous flux	7239 lm
Luminaire luminous efficiency	68,9 lm/W

84 234 K4

Module designation	4x LED-0998/840
Colour temperature	4000 K
Colour rendering index	CRI > 80
Module luminous flux	17280 lm
Luminaire luminous flux	7646 lm
Luminaire luminous efficiency	72,8 lm/W

**Service life · Ambient temperature**

Rated temperature $t_a = 25 \text{ }^\circ\text{C}$	
LED psu:	> 50,000 h
LED module:	190,000 h (L80 B50)
Ambient temperature $t_{a, \text{max}} = 25 \text{ }^\circ\text{C}$ (100 %)	
LED psu:	50,000 h
LED module:	190,000 h (L80 B50)

Ambient temperature $t_{a, \text{max}} = 50 \text{ }^\circ\text{C}$ (65 %)	
LED psu:	50,000 h
LED module:	> 50,000 h (L70 B50)

BEGA Thermal Control® protects temperature-sensitive luminaire components by temporarily limiting the nominal power at high temperatures.

Inrush current

Inrush current: 5 A / 100 μs
Maximum number of luminaires of this type per miniature circuit breaker:
B 10A: 11 luminaires
B 16A: 17 luminaires
C 10A: 11 luminaires
C 16A: 17 luminaires

Light technique

Narrow beam light distribution.
Half beam angle 23°

Article No. 84 234

LED colour temperature optionally 3000K or 4000K

3000 K – Article number + **K3**
4000 K – Article number + **K4**

Colour graphite or silver
graphite – article number
silver – article number + **A**

Light distribution