

BEGA**84 233**

Performance floodlight

IP 65

Project · Reference number

Date

Product data sheet**Application**

LED performance floodlight with G½ mounting bush in compact design.

The floodlight can be bolted together with any female thread G½ according to ISO 228 supplied by others or to BEGA accessories.

Product description

Luminaire made of aluminium alloy, aluminium and stainless steel
 Safety glass with optical structure
 Silicone gasket
 Reflector surface made of pure aluminium
 Rotation range of floodlight 350°
 Swivel range -70°/+100°
 Mounting bracket with G½ threaded connection
 Thread length: 10 mm
 Connecting cable X05BQ-F 5 G 1[□]
 Cable length 1 m
 LED power supply unit
 220-240 V ~ 0/50-60 Hz
 DC 176-264 V
 DALI controllable
 A basic isolation exists between power cable and control line
 Safety class I
 Protection class IP 65
 Dust-tight and protection against water jets
 CE – Conformity mark
 Wind catching area: 0.09 m²

Lamp

Module connected wattage	95.6 W
Luminaire connected wattage	105 W
Rated temperature	t _a = 25 °C
Service life criteria	50 000 h/L ₇₀

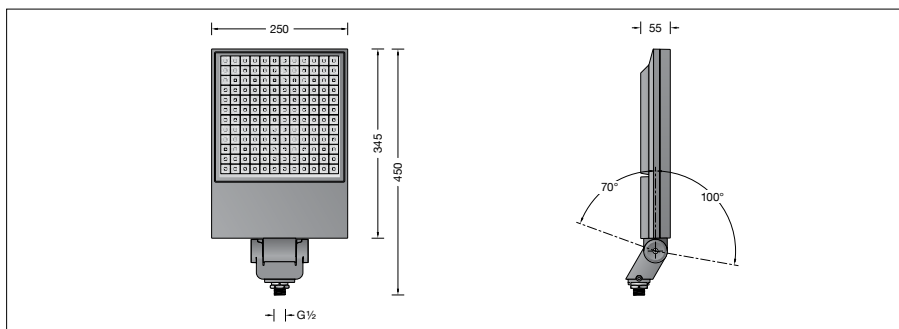
84 233 K3

Module designation	4x LED-0998/830
Colour temperature	3000 K
Colour rendering index	CRI > 80
Module luminous flux	16360 lm
Luminaire luminous flux*	8710 lm
Luminaire luminous efficiency*	83 lm/W

84 233 K4

Module designation	4x LED-0998/840
Colour temperature	4000 K
Colour rendering index	CRI > 80
Module luminous flux	17280 lm
Luminaire luminous flux*	9200 lm
Luminaire luminous efficiency*	87,6 lm/W

* preliminary data

**Light technique**

Narrow beam light distribution.
 Half beam angle 34°
 Luminaire data for the light planning program DIALux for outdoor lighting, street lighting and indoor lighting, as well as luminaire data in EULUMDAT and IES format are available on the BEGA website at www.bega.com.

Article No. 84 233

LED colour temperature optionally 3000K or 4000K

3000 K – Article number + **K3**
 4000 K – Article number + **K4**

Colour graphite or silver
 graphite – article number
 silver – article number + **A**

Accessories

70 214 Pole cap for pole top ø 48 mm
70 248 Pole cap for pole top ø 60 mm
70 249 Pole cap for pole top ø 76 mm
70 229 Pole cap for pole top ø 82 mm
70 221 Mounting box for anchorage unit
70 379 Cross beam

For the accessories a separate instructions for use can be provided upon request.

Light distribution