

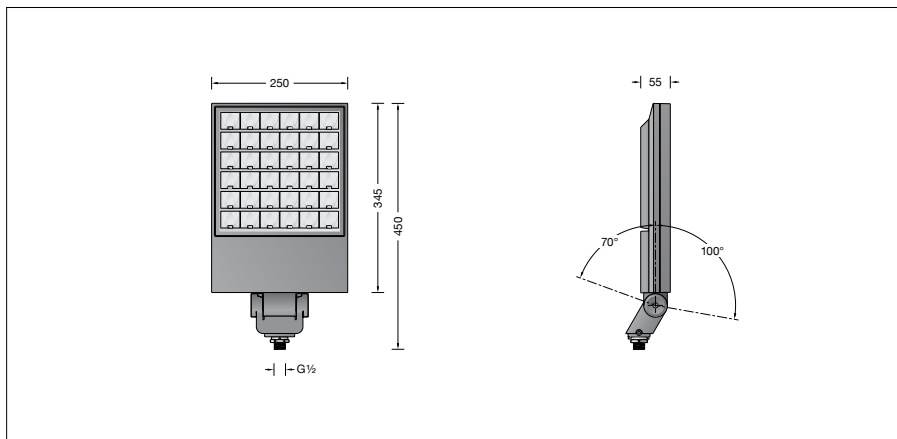
BEGA**84 232**

Performance floodlight

IP 65

Project · Reference number

Date



Product data sheet

Application

LED performance floodlight with G $\frac{1}{2}$ mounting bush in compact design.

The floodlight can be bolted together with any female thread G $\frac{1}{2}$ according to ISO 228 supplied by others or to BEGA accessories.

Product description

Luminaire made of aluminium alloy, aluminium and stainless steel
 Safety glass with optical structure
 Silicone gasket
 BEGA Vortex Optics®
 Reflector surface made of pure aluminium
 Rotation range of floodlight 350°
 Swivel range -70°/+100°
 Mounting bracket with G $\frac{1}{2}$ threaded connection
 Thread length: 10 mm
 Connecting cable X05BQ-F 5G 1 \square
 Cable length 1 m
 LED power supply unit
 220-240 V \sphericalangle 0/50-60 Hz
 DC 176-264 V
 During DC operation the LED power is reduced to 100 %
 DALI controllable
 A basic isolation exists between power cable and control line
 BEGA Thermal Control®
 Temporary thermal regulation to protect temperature-sensitive components without switching off the luminaire
 Safety class I
 Protection class IP 65
 Dust-tight and protection against water jets
 Impact strength IK08
 Protection against mechanical impacts < 5 joule
CE – Conformity mark
 Wind catching area: 0.09 m²
 Weight: 5.5 kg

Lamp

Module connected wattage	95.6 W
Luminaire connected wattage	105 W
Rated temperature	$t_a = 25\text{ }^\circ\text{C}$
Ambient temperature	$t_{a,max} = 35\text{ }^\circ\text{C}$

84 232 K3

Module designation	4x LED-0999/830
Colour temperature	3000 K
Colour rendering index	CRI > 80
Module luminous flux	16360 lm
Luminaire luminous flux	7330 lm
Luminaire luminous efficiency	69,8 lm/W

84 232 K4

Module designation	4x LED-0999/840
Colour temperature	4000 K
Colour rendering index	CRI > 80
Module luminous flux	17280 lm
Luminaire luminous flux	7742 lm
Luminaire luminous efficiency	73,7 lm/W

Service life · Ambient temperature

Rated temperature $t_a = 25\text{ }^\circ\text{C}$	
LED psu:	> 50,000 h
LED module:	190,000 h (L80 B50)

Ambient temperature $t_{a,max} = 35\text{ }^\circ\text{C}$ (100 %)	
LED psu:	50,000 h
LED module:	175,000 h (L80 B50)

Ambient temperature $t_{a,max} = 50\text{ }^\circ\text{C}$ (70 %)	
LED psu:	50,000 h
LED module:	50,000 h

BEGA Thermal Control® protects temperature-sensitive luminaire components by temporarily limiting the nominal power at high temperatures.

Lighting technology

Asymmetrical light distribution
 Half beam angle 46/51°
 Luminaire data for the light planning program DIALux for outdoor lighting, street lighting and indoor lighting, as well as luminaire data in EULUMDAT and IES format are available on the BEGA website at www.bega.com.

Article No. 84 232

LED colour temperature optionally 3000 K or 4000 K

3000 K – Article number + **K3**
 4000 K – Article number + **K4**

Colour graphite or silver
 graphite – article number
 silver – article number + **A**

Accessories

70 214 Pole cap for pole top \varnothing 48 mm
70 248 Pole cap for pole top \varnothing 60 mm
70 249 Pole cap for pole top \varnothing 76 mm
70 229 Pole cap for pole top \varnothing 82 mm
70 221 Mounting box for anchorage unit
70 379 Cross beam

For the accessories a separate instructions for use can be provided upon request.

Light distribution