

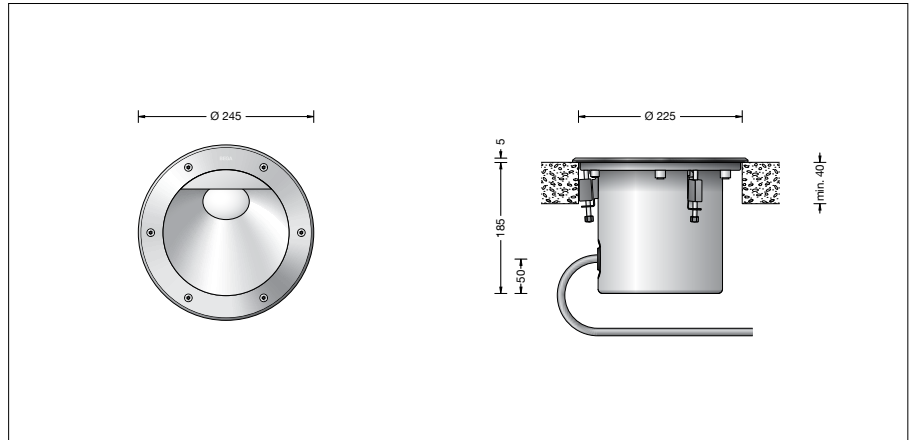
BEGA**84 230**

In-ground luminaire

IP 68

Project · Reference number

Date



Product data sheet

Application

LED Floodlight · Wallwasher
With asymmetrical light distribution for soft lighting effects without any harsh light cones on the illuminated surface.
For installation in cut-outs in topsoil. The luminaires can be driven over by vehicles with pneumatic tyres.

Please note:

Luminaire must not be used for installation in road lanes, where the fixture is exposed to a horizontal strain due to braking, acceleration and change of direction.
For walk-through public areas, we recommend skid-blocking glass – see accessories.

Product description

Luminaire made of stainless steel
Steel grade no. 1.4301
Clear safety glass
Reflector surface made of pure aluminium
Required recessed opening \varnothing 225 mm
Minimum material thickness 40 mm
Fixing is achieved by using three wedge-shaped clamping elements
1,8 m water-resistant connecting cable
07RN8-F 5G 1[□] with implemented water stopper and 1.2 m PVC cable conduit
LED power supply unit
220-240 V \sim 0/50-60 Hz
DC 176-276 V
DALI controllable
A basic isolation exists between power cable and control line
Safety class I
Protection class IP 68 10 m
Dust-tight and water pressure tight
Maximum submersion depth 10 m
Not suitable for permanent operation under water
Pressure load 2,000 kg (~20 kN)
Impact strength IK10
Protection against mechanical impacts < 20 joule
CE – Conformity mark
Weight: 4.0 kg

Lamp

Module connected wattage 13.7 W
Luminaire connected wattage 16.2 W
Rated temperature $t_a = 25$ °C
Ambient temperature $t_{a \max} = 40$ °C

On request we can offer you modifications for environments with higher temperatures as a customized product.

84 230 K4

Module designation LED-0905/840
Colour temperature 4000 K
Colour rendering index CRI > 80
Module luminous flux 2485 lm
Luminaire luminous flux 1482 lm
Luminaire luminous efficiency 91,5 lm/W

84 230 K3

Module designation LED-0905/830
Colour temperature 3000 K
Colour rendering index CRI > 80
Module luminous flux 2360 lm
Luminaire luminous flux 1407 lm
Luminaire luminous efficiency 86,9 lm/W

Service life of the LED

Ambient temperature $t_a = 25$ °C
– at 180,000h: L70 B50

max. ambient temperature $t_a = 40$ °C
– at 160,000h: L70 B50

Inrush current

Inrush current: 12 A / 24.2 μ s
Maximum number of luminaires of this type per miniature circuit breaker:
B 10A: 50 luminaires
B 16A: 50 luminaires
C 10A: 50 luminaires
C 16A: 50 luminaires

Lighting technology

Half beam angle 41/54°
Luminaire data for the light planning program DIALux for outdoor lighting, street lighting and interior lighting as well as luminaire data in EULUMDAT and IES format are available on our website www.bega.com.

Article No. 84 230

LED colour temperature optionally 3000 K or 4000 K
3000 K – Article number + **K3**
4000 K – Article number + **K4**

We supply this luminaire with skid-blocking glass which is denoted by **R** after the article number.

Accessories

14000225R Skid-blocking glass
BEGA skid-blocking glass with the highest rating R 13 according to DIN 51130 can be used without restriction for all public areas.
Abrasion resistance according to EN ISO 10545-7 Class 3

Distribution box for installation in soil

70 730 Distribution box with 7 cable entries
Connection terminals 5 x 4[□]

71 053 Distribution box with 10 cable entries
Connection terminals 6 x 16[□]

A separate instructions for use can be provided upon request.

Light distribution