

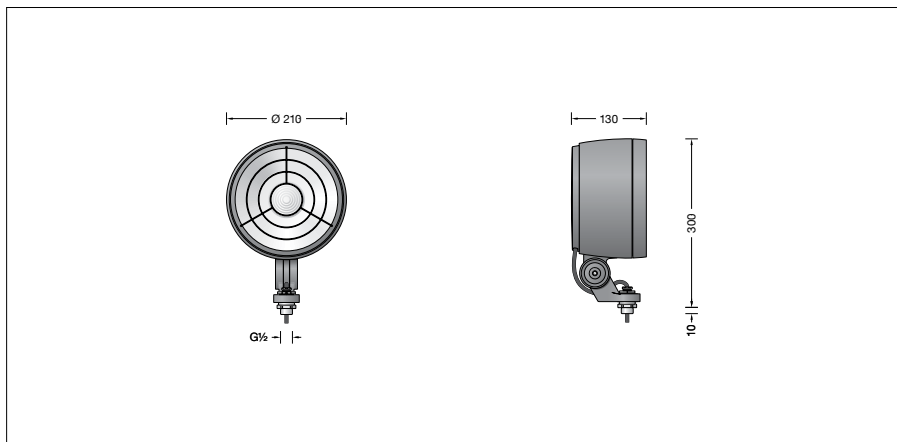
BEGA**84 225**

Floodlight

IP 65

Project · Reference number

Date



Product data sheet

Application

LED performance floodlight with G½ mounting bush in compact design.

The floodlight can be bolted together with any female thread G½ according to ISO 228 supplied by others or to BEGA accessories.

Product description

Luminaire made of aluminium alloy, aluminium and stainless steel
 Clear safety glass · Silicone gasket
 Reflector surface made of pure aluminium
 Optical silicone lens
 Inside louvre
 made of glass-fibre reinforced polyamide
 Rotation range of floodlight 350°
 Swivel range -30°/+140°
 Mounting bracket with G½ threaded connection
 Thread length: 10 mm
 Connecting cable X05BQ-F 5 G 1[□]
 Cable length 1 m
 LED power supply unit
 220-240 V ~ 0/50-60 Hz
 DC 176-280 V
 During DC operation the LED power is reduced to 15 %
 DALI controllable
 A basic isolation exists between power cable and control line
 Safety class I
 Protection class IP 65
 Dust-tight and protection against water jets
 Impact strength IK08
 Protection against mechanical impacts < 5 joule
 CE – Conformity mark
 Wind catching area: 0.035 m²
 Weight: 4.5 kg

Lamp

Module connected wattage	61.7 W
Luminaire connected wattage	68 W
Rated temperature	$t_a = 25\text{ °C}$
Ambient temperature	$t_{a\text{max}} = 25\text{ °C}$

On request we can offer you modifications for environments with higher temperatures as a customized product.

84 225 K4

Module designation	LED-0877/940
Colour temperature	4000 K
Colour rendering index	CRI > 90
Module luminous flux	8645 lm
Luminaire luminous flux	4182 lm
Luminaire luminous efficiency	61,5 lm/W

84 225 K3

Module designation	LED-0877/930
Colour temperature	3000 K
Colour rendering index	CRI > 90
Module luminous flux	8520 lm
Luminaire luminous flux	4122 lm
Luminaire luminous efficiency	60,6 lm/W

Service life · Ambient temperature

Ambient temperature $t_a = 25\text{ °C}$	
LED psu:	> 50,000 h
LED module:	100,000 h (L80 B50)
	100,000 h (L80 B50)

Ambient temperature $t_a = 25\text{ °C}$	
LED psu:	50,000 h
LED module:	100,000 h (L80 B50)
	100,000 h (L80 B50)

BEGA Thermal control® protects temperature-sensitive luminaire components by temporarily limiting the nominal power to 70 % when max. $t_a = 50\text{ °C}$. Thus, these components reach a service life of minimum 50,000 h even if operated in a high temperature range.

Inrush current

Inrush current: 50 A / 209 μs
 Maximum number of luminaires of this type per miniature circuit breaker:

B 10A:	6 luminaires
B 16A:	10 luminaires
C 10A:	10 luminaires
C 16A:	16 luminaires

Light technique

Floodlight with narrow beam rotationally symmetrical light distribution with integrated louvre for stray light suppression.
 Half beam angle 12°
 For special lighting tasks the symmetrical light cone can be changed to a flat beam light distribution by an additional the diffuser lens.
 Luminaire data for the light planning program DIALux for outdoor lighting, street lighting and indoor lighting, as well as luminaire data in EULUMDAT and IES format are available on the BEGA website at www.bega.com.

Article No. 84 225

LED colour temperature optionally 4000K or 3000K
 4000 K – Article number + **K4**
 3000 K – Article number + **K3**

Colour graphite or silver
 graphite – article number
 silver – article number + **A**

Accessories

71 121	Shield
71 123	Exchangeable lens flat beam
70 214	Pole cap for pole \varnothing 48 mm
70 248	Pole cap for pole \varnothing 60 mm
70 245	Mounting box
70 252	Tree screw
70 280	Tube clamp G½
70 283	Screw clamp
70 379	Outrigger arm G½
70 889	Tension belt

For the accessories a separate instructions for use can be provided upon request.

Light distribution

