

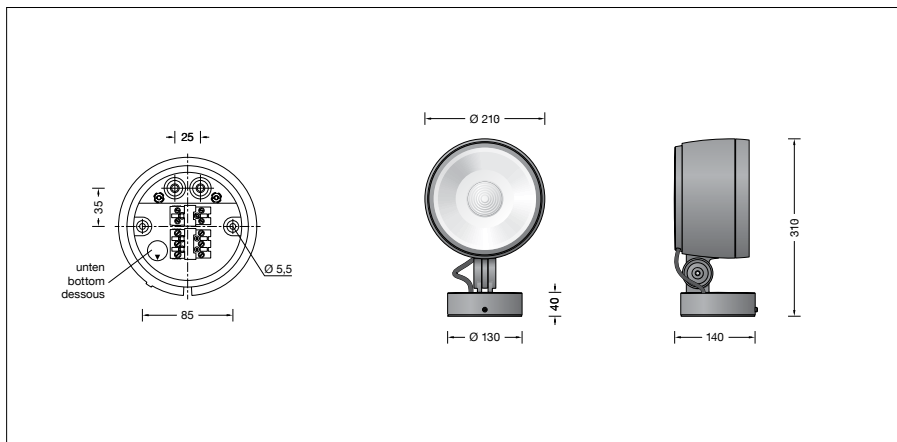
BEGA**84 224**

Floodlight

IP 65

Project · Reference number

Date



Product data sheet

Application

LED performance floodlight with mounting box in compact design.

For a variety of interior and exterior lighting applications.

Product description

Luminaire made of aluminium alloy, aluminium and stainless steel
 Clear safety glass · Silicone gasket
 Optical silicone lens · BEGA Hybrid Optics®
 Reflector surface made of pure aluminium
 Rotation range of floodlight 350°
 Swivel range -30°/+100°
 Mounting box with 2 fixing holes
 ø 5.5 mm · 85 mm spacing
 2 cable entries for through-wiring of mains supply cable ø 7-10.5 mm, max. 5G1.5[□]
 Connecting terminal 2.5[□]
 with plug connection
 Earth conductor connection
 LED power supply unit
 220-240 V ~ 0/50-60 Hz
 DC 176-280 V
 During DC operation the LED power is reduced to 15 %
 DALI controllable
 A basic isolation exists between power cable and control line
 Safety class I
 Protection class IP 65
 Dust-tight and protection against water jets
CE – Conformity mark
 Wind catching area: 0.04 m²
 Weight: 4.6 kg

Lamp

Module connected wattage	60.3 W
Luminaire connected wattage	66 W
Rated temperature	$t_a = 25 \text{ °C}$
Ambient temperature	$t_{a \text{ max}} = 35 \text{ °C}$

84 224 K4

Module designation	LED-0442/940
Colour temperature	4000 K
Colour rendering index	CRI >90
Module luminous flux	9255 lm
Luminaire luminous flux	6918 lm
Luminaire luminous efficiency	104,8 lm/W

84 224 K3

Module designation	LED-0442/930
Colour temperature	3000 K
Colour rendering index	CRI >90
Module luminous flux	9115 lm
Luminaire luminous flux	6813 lm
Luminaire luminous efficiency	103,2 lm/W

Service life · Ambient temperature

Rated temperature $t_a = 25 \text{ °C}$	
LED psu:	> 50,000 h
LED module:	145,000 h (L80 B50) 100,000 h (L80 B50)

Ambient temperature $t_{a \text{ max}} = 35 \text{ °C}$ (100 %)

LED psu:	50,000 h
LED module:	120,000 h (L80 B50) 100,000 h (L80 B50)

Ambient temperature $t_{a \text{ max}} = 50 \text{ °C}$ (65 %)

LED psu:	50,000 h
LED module:	50,000 h

BEGA Thermal Control® protects temperature-sensitive luminaire components by temporarily limiting the nominal power at high temperatures.

Inrush current

Inrush current: 50 A / 209 μ s
 Maximum number of luminaires of this type per miniature circuit breaker:

B 10A:	6 luminaires
B 16A:	10 luminaires
C 10A:	10 luminaires
C 16A:	16 luminaires

Light technique

Symmetrical wide beam light distribution
 Half beam angle 55°
 By changing the diffuser lense it is possible to alter the symmetrical light distribution into a flat beam light distribution.
 Luminaire data for the light planning program DIALux for outdoor lighting, street lighting and indoor lighting, as well as luminaire data in EULUMDAT and IES format are available on the BEGA website at www.bega.com.

Article No. 84 224

LED colour temperature optionally 4000 K or 3000 K
 4000 K – Article number + **K4**
 3000 K – Article number + **K3**

Colour graphite or silver
 graphite – article number
 silver – article number + **A**

Accessories

71 121 Shield
71 123 Exchangeable lens flat beam

For the accessories a separate instructions for use can be provided upon request.

Light distribution

