

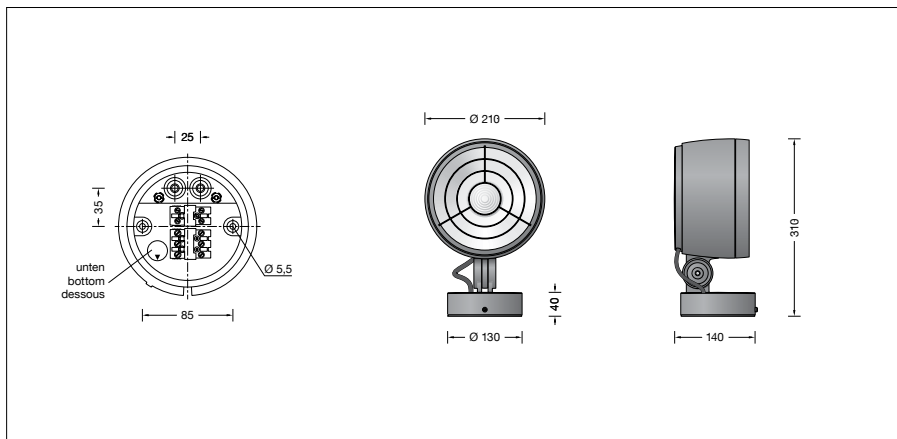
BEGA**84 222**

Floodlight

IP 65

Project · Reference number

Date



Product data sheet

Application

LED performance floodlight with mounting box in compact design.

For a variety of interior and exterior lighting applications.

Product description

Luminaire made of aluminium alloy, aluminium and stainless steel
Clear safety glass · Silicone gasket
Optical silicone lens · BEGA Hybrid Optics®
Reflector surface made of pure aluminium
Inside louvre
made of glass-fibre reinforced polyamide
Rotation range of floodlight 350°
Swivel range -30°/+100°
Mounting box with 2 fixing holes
ø 5.5 mm · 85 mm spacing
2 cable entries for through-wiring of mains supply cable ø 7-10.5 mm, max. 5 G 1.5[□]
Connecting terminal 2.5[□]
with plug connection

Earth conductor connection

LED power supply unit
220-240 V ~ 0/50-60 Hz
DC 176-280 V

During DC operation the LED power is reduced to 15 %

DALI controllable

A basic isolation exists between power cable and control line

Safety class I

Protection class IP 65

Dust-tight and protection against water jets

Impact strength IK08

Protection against mechanical impacts < 5 joule

CE – Conformity mark

Wind catching area: 0.04 m²

Weight: 4.8 kg

Lamp

Module connected wattage	61.7 W
Luminaire connected wattage	68 W
Rated temperature	$t_a = 25 \text{ }^\circ\text{C}$
Ambient temperature	$t_{a \text{ max}} = 25 \text{ }^\circ\text{C}$

84 222 K4

Module designation	LED-0877/940
Colour temperature	4000 K
Colour rendering index	CRI > 90
Module luminous flux	8645 lm
Luminaire luminous flux	4182 lm
Luminaire luminous efficiency	61,5 lm/W

84 222 K3

Module designation	LED-0877/930
Colour temperature	3000 K
Colour rendering index	CRI > 90
Module luminous flux	8520 lm
Luminaire luminous flux	4122 lm
Luminaire luminous efficiency	60,6 lm/W

Service life · Ambient temperature

Rated temperature $t_a = 25 \text{ }^\circ\text{C}$	
LED psu:	> 50,000 h
LED module:	100,000 h (L80 B50)
	100,000 h (L80 B50)

Ambient temperature $t_{a \text{ max}} = 25 \text{ }^\circ\text{C}$ (100 %)

LED psu:	50,000 h
LED module:	100,000 h (L80 B50)
	100,000 h (L80 B50)

Ambient temperature $t_{a \text{ max}} = 50 \text{ }^\circ\text{C}$ (70 %)

LED psu:	50,000 h
LED module:	50,000 h

BEGA Thermal Control® protects temperature-sensitive luminaire components by temporarily limiting the nominal power at high temperatures.

Inrush current

Inrush current: 50 A / 209 μs

Maximum number of luminaires of this type per miniature circuit breaker:

B 10A:	6 luminaires
B 16A:	10 luminaires
C 10A:	10 luminaires
C 16A:	16 luminaires

Light technique

Floodlight with narrow beam rotationally symmetrical light distribution with integrated louvre for stray light suppression.
Half beam angle 12°

By changing the diffuser lense it is possible to alter the symmetrical light distribution into a flat beam light distribution.

Luminaire data for the light planning program DIALux for outdoor lighting, street lighting and indoor lighting, as well as luminaire data in EULUMDAT and IES format are available on the BEGA website at www.bega.com.

Article No. 84 222

LED colour temperature optionally 4000K or 3000K

4000 K – Article number + **K4**
3000 K – Article number + **K3**

Colour graphite or silver
graphite – article number
silver – article number + **A**

Accessories

71 121 Shield

71 123 Exchangeable lens flat beam

For the accessories a separate instructions for use can be provided upon request.

Light distribution

