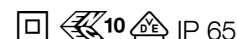


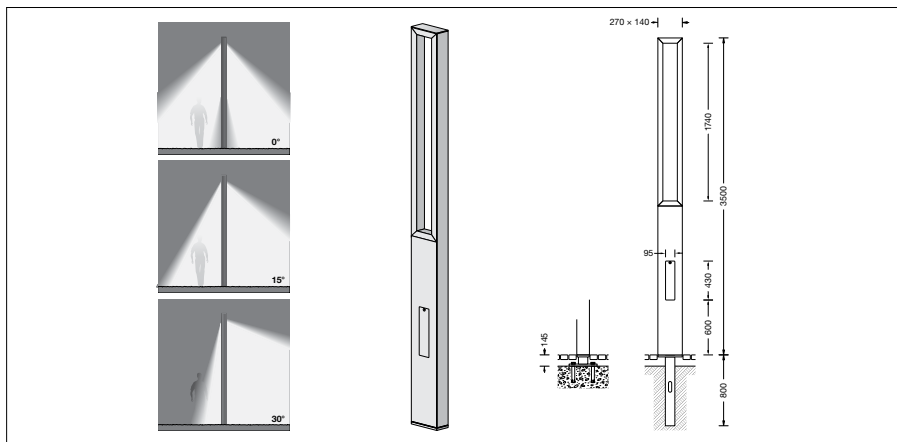
**BEGA****84 221**

Light building element



Project · Reference number

Date



## Product data sheet

**Application**

LED light building element with light distribution adjustable in 3 steps.

**Product description**

Luminaire made of aluminium alloy, aluminium and stainless steel  
Safety glass  
Reflector made of pure anodised aluminium  
optical system can be adjusted 0°, 15° or 30°  
Fixing of the light building element with anchorage unit **71 140** or mounting base **70 833** for bolting onto a foundation (see accessories)  
With inserted door made of aluminium  
Square door latch (wrench size 8 mm)  
Connection box 71 084  
for through-wiring – for 2 cables up to 7 × 6<sup>2</sup>  
Terminal connection L1 · L2 · L3 · N · PE  
2 connecting terminals for connecting DALI control cables  
Fuse terminal with micro fuse  
6,3 A slow  $\phi$  5 × 20 mm  
LED power supply unit  
220-240 V  $\sim$  0/50-60 Hz  
DC 176-264 V  
During DC operation the LED power is reduced to 50 %  
DALI controllable  
A basic isolation exists between power cable and control line  
Safety class II   
Protection class IP 65  
Dust-tight and protection against water jets  
Impact strength IK06  
Protection against mechanical impacts < 1 joule  
 – Safety mark  
**CE** – Conformity mark  
Wind catching area: 0.92 m<sup>2</sup>  
Weight: 40.2 kg

**Lamp**

Module connected wattage 28.9 W  
Luminaire connected wattage 32 W  
Rated temperature  $t_a = 25$  °C  
Ambient temperature  $t_{a \max} = 45$  °C

**84 221 K3**

Module designation LED-0944/830  
Colour temperature 3000 K  
Colour rendering index CRI > 80  
Module luminous flux 3925 lm  
Luminaire luminous flux 2368 lm  
Luminaire luminous efficiency 74 lm/W

**84 221 K4**

Module designation LED-0944/840  
Colour temperature 4000 K  
Colour rendering index CRI > 80  
Module luminous flux 3925 lm  
Luminaire luminous flux 2368 lm  
Luminaire luminous efficiency 74 lm/W

**Service life of the LED**

Ambient temperature  $t_a = 25$  °C  
– at 253,000 h: L70 B50

max. ambient temperature  $t_a = 45$  °C  
– at 79,000 h: L70 B50

Ambient temperature  $t_{a \max} = 50$  °C (80 %)

LED psu: 50,000 h  
LED module: 50,000 h

BEGA Thermal Control<sup>®</sup> protects temperature-sensitive luminaire components by temporarily limiting the nominal power at high temperatures.

**Inrush current**

Inrush current: 5 A / 100  $\mu$ s  
Maximum number of luminaires of this type per miniature circuit breaker:  
B 10A: 27 luminaires  
B 16A: 44 luminaires  
C 10A: 27 luminaires  
C 16A: 44 luminaires

**Light technique**

An internal adjusting device allows you to adjust the optical system of the luminaire. In this way, symmetrical light distribution can be achieved with the same proportions of light or with different, asymmetrical light distribution.

**Article No. 84 221**

LED colour temperature optionally 3000 K or 4000 K  
3000 K – Article number + **K3**  
4000 K – Article number + **K4**

Colour graphite or silver  
graphite – article number  
silver – article number + **A**

**Accessories**

**71 140** Anchorage unit  
**70 833** Mounting base

A separate instructions for use can be provided upon request.

**Light distribution**