

BEGA**84 219**

Bollard

IP 65

Project · Reference number

Date

Product data sheet

Application

Shielded LED bollard with square profile and flat beam light distribution.
For the illumination of paths, squares, access roads and entry areas.

Product description

Luminaire made of aluminium alloy, aluminium and stainless steel
Safety glass
Silicone gasket
Reflector made of pure anodised aluminium
Luminaire with mounting plate for bolting onto a foundation or an anchorage unit
Mounting plate with two pitch circles:
ø 70 mm, 3 elongated holes 7 mm wide
ø 100 mm, 3 elongated holes 9 mm wide
Connection box for through-wiring
– for 2 cables up to 5 × 2,5²
Fuse terminal with micro fuse
6.3 A slow ø 5 × 20 mm
LED power supply unit
220-240 V ~ 0/50-60 Hz
DC 176-280 V
Safety class I
Protection class IP 65
Dust-tight and protection against water jets
Impact strength IK07
Protection against mechanical impacts < 2 joule
CE – Conformity mark
Weight: 4.2 kg

Inrush current

Inrush current: 20 A / 80 µs
Maximum number of luminaires of this type per miniature circuit breaker:
B 10A: 35 luminaires
B 16A: 56 luminaires
C 10A: 58 luminaires
C 16A: 94 luminaires

Lamp

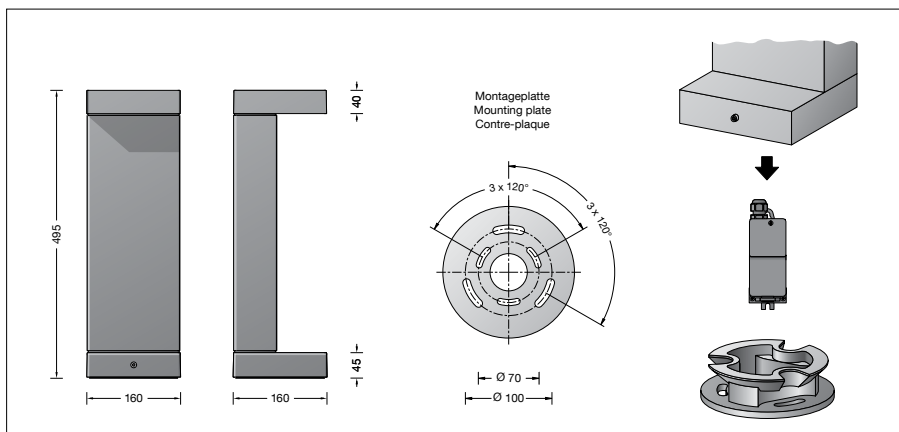
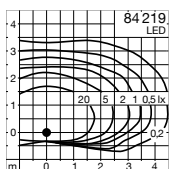
Module connected wattage	11.5 W
Luminaire connected wattage	13.8 W
Rated temperature	$t_a = 25\text{ °C}$
Ambient temperature	$t_{a\text{max}} = 55\text{ °C}$

84 219 K3

Module designation	LED-0483/830
Colour temperature	3000 K
Colour rendering index	CRI > 80
Module luminous flux	2270 lm
Luminaire luminous flux	1434 lm
Luminaire luminous efficiency	103,9 lm/W

84 219 K4

Module designation	LED-0483/840
Colour temperature	4000 K
Colour rendering index	CRI > 80
Module luminous flux	2335 lm
Luminaire luminous flux	1475 lm
Luminaire luminous efficiency	106,9 lm/W

Light distribution**Service life of the LED**

Ambient temperature $t_a = 25\text{ °C}$
– at > 500,000h: L70B50

max. ambient temperature $t_a = 55\text{ °C}$
– at 188,000h: L70B50

Light technique

Luminaire data for the light planning program DIALux for outdoor lighting, street lighting and indoor lighting as well as luminaire data in EULUMDAT- and IES-format you will find on the BEGA web page www.bega.com.

Article No. 84 219

LED colour temperature optionally 3000 K or 4000 K
3000 K – Article number + **K3**
4000 K – Article number + **K4**

Colour graphite or silver
graphite – article number
silver – article number + **A**

Accessory

70 894 Anchorage unit
Anchorage unit with mounting flange made of galvanised steel. Total length 400 mm.
3 stainless steel fixing screws M 6.
Pitch circle ø 70 mm.

For the accessories a separate instructions for use can be provided upon request.