

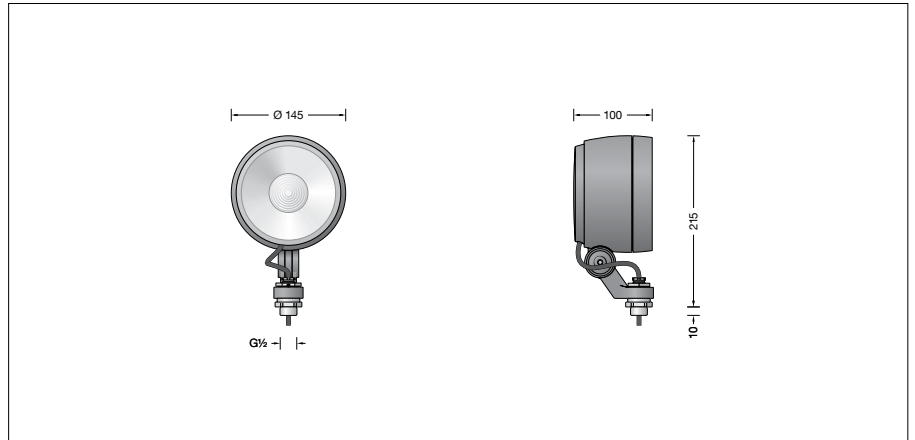
**BEGA****84 217**

Performance floodlight



Project · Reference number

Date



## Product data sheet

### Application

LED performance floodlight with G $\frac{1}{2}$  mounting bush in compact design.

The floodlight can be bolted together with any female thread G $\frac{1}{2}$  according to ISO 228 supplied by others or to BEGA accessories. For a variety of interior and exterior lighting applications.

### Product description

Luminaire made of aluminium alloy, aluminium and stainless steel

Clear safety glass

Silicone gasket

Reflector surface made of pure aluminium

Optical silicone lens · BEGA Hybrid Optics®

Rotation range of floodlight 350°

Swivel range -30°/+140°

Mounting bracket with G $\frac{1}{2}$  threaded connection

Thread length: 10 mm

Connecting cable X05BQ-F 5 G 1 $\square$

Cable length 1 m

LED power supply unit

220-240 V  $\sim$  0/50-60 Hz

DC 176-276 V

DALI controllable

A basic isolation exists between power cable and control line

BEGA Thermal Control®

Temporary thermal regulation to protect temperature-sensitive components without switching off the luminaire

Safety class I

Protection class IP 65

Dust-tight and protection against water jets

Impact strength IK08

Protection against mechanical

impacts < 5 joule

– Safety mark

**CE** – Conformity mark

Wind catching area: 0.02 m<sup>2</sup>

Weight: 1.8 kg

### Lamp

Module connected wattage 16.8 W

Luminaire connected wattage 19 W

Rated temperature  $t_a = 25$  °C

Ambient temperature  $t_{a,max} = 45$  °C

### 84 217 K4

Module designation LED-0800/940

Colour temperature 4000 K

Colour rendering index CRI >90

Module luminous flux 2480 lm

Luminaire luminous flux 1942 lm

Luminaire luminous efficiency 102,2 lm/W

### 84 217 K3

Module designation LED-0800/930

Colour temperature 3000 K

Colour rendering index CRI >90

Module luminous flux 2440 lm

Luminaire luminous flux 1911 lm

Luminaire luminous efficiency 100,6 lm/W

### Service life · Ambient temperature

Rated temperature  $t_a = 25$  °C

LED psu: > 50,000 h

LED module: 170,000 h (L80 B50)

Ambient temperature  $t_{a,max} = 45$  °C (100 %)

LED psu: 50,000 h

LED module: 120,000 h (L80 B50)

### Light technique

Symmetrical wide beam light distribution

Half beam angle 46°

For special lighting applications, the symmetrical light cone can be changed to a flat beam using an additional diffuser lens.

Luminaire data for the light planning program DIALux for outdoor lighting, street lighting and indoor lighting, as well as luminaire data in EULUMDAT and IES format are available on the BEGA website at [www.bega.com](http://www.bega.com).

### Inrush current

Inrush current: 12 A / 24.2  $\mu$ s

Maximum number of luminaires of this type per miniature circuit breaker:

B 10A: 50 luminaires

B 16A: 50 luminaires

C 10A: 50 luminaires

C 16A: 50 luminaires

### Article No. 84 217

LED colour temperature optionally 4000 K or 3000 K

4000 K – Article number + **K4**

3000 K – Article number + **K3**

Colour graphite or silver  
graphite – article number  
silver – article number + **A**

### Accessories

**71 118** Shield

**71 120** Exchangeable lens flat beam

**70 214** Pole cap for pole  $\varnothing$  48 mm

**70 248** Pole cap for pole  $\varnothing$  60 mm

**70 245** Mounting box

**70 252** Tree screw

**70 280** Tube clamp G $\frac{1}{2}$

**70 283** Screw clamp

**70 379** Outrigger arm G $\frac{1}{2}$

**70 889** Tension belt

For the accessories a separate instructions for use can be provided upon request.

### Light distribution

