

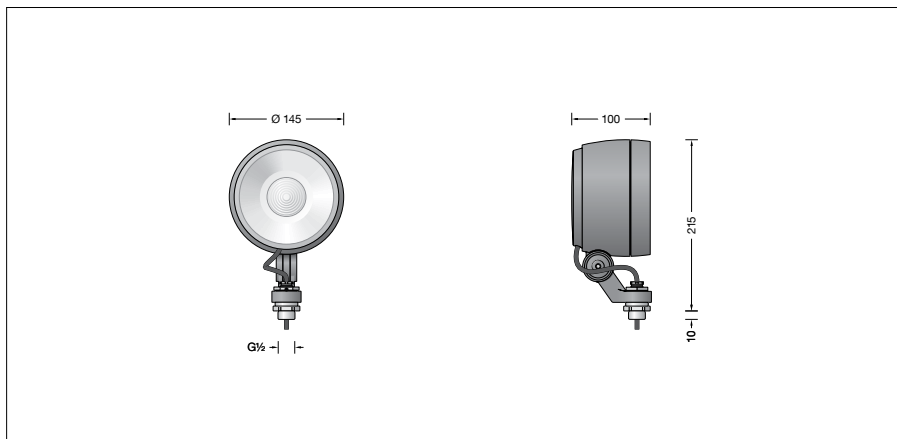
BEGA**84 216**

Performance floodlight



Project · Reference number

Date



Product data sheet

Application

LED performance floodlight with G $\frac{1}{2}$ mounting bush in compact design.
The floodlight can be bolted together with any female thread G $\frac{1}{2}$ according to ISO 228 supplied by others or to BEGA accessories. For a variety of interior and exterior lighting applications.

Product description

Luminaire made of aluminium alloy, aluminium and stainless steel
Clear safety glass
Silicone gasket
Reflector surface made of pure aluminium
Optical silicone lens · BEGA Hybrid Optics®
Rotation range of floodlight 350°
Swivel range -30°/+140°
Mounting bracket with G $\frac{1}{2}$ threaded connection
Thread length: 10 mm
Connecting cable X05BQ-F 5 G 1 $\frac{1}{2}$
Cable length 1 m
LED power supply unit
220-240 V \sim 0/50-60 Hz
DC 176-276 V
DALI controllable
A basic isolation exists between power cable and control line
BEGA Thermal Control®
Temporary thermal regulation to protect temperature-sensitive components without switching off the luminaire
Safety class I
Protection class IP 65
Dust-tight and protection against water jets
Impact strength IK08
Protection against mechanical impacts < 5 joule
 – Safety mark
CE – Conformity mark
Wind catching area: 0.02 m 2
Weight: 1.8 kg

Lamp

Module connected wattage 16.8 W
Luminaire connected wattage 19 W
Rated temperature $t_a = 25$ °C
Ambient temperature $t_{a,max} = 45$ °C

84 216 K4

Module designation LED-0800/940
Colour temperature 4000 K
Colour rendering index CRI >90
Module luminous flux 2480 lm
Luminaire luminous flux 1937 lm
Luminaire luminous efficiency 101,9 lm/W

84 216 K3

Module designation LED-0800/930
Colour temperature 3000 K
Colour rendering index CRI >90
Module luminous flux 2440 lm
Luminaire luminous flux 1906 lm
Luminaire luminous efficiency 100,3 lm/W

Service life · Ambient temperature

Rated temperature $t_a = 25$ °C
LED psu: > 50,000 h
LED module: 170,000 h (L80 B50)

Ambient temperature $t_{a,max} = 45$ °C (100 %)
LED psu: 50,000 h
LED module: 120,000 h (L80 B50)

Lighting technology

Symmetrical narrow beam light distribution.
Half beam angle 18°
For special lighting applications, the symmetrical light cone can be changed to a flat beam using an additional diffuser lens.
Luminaire data for the light planning program DIALux for outdoor lighting, street lighting and indoor lighting, as well as luminaire data in EULUMDAT and IES format are available on the BEGA website at www.bega.com.

Inrush current

Inrush current: 12 A / 24.2 μ s
Maximum number of luminaires of this type per miniature circuit breaker:
B 10A: 50 luminaires
B 16A: 50 luminaires
C 10A: 50 luminaires
C 16A: 50 luminaires

Article No. 84 216

LED colour temperature optionally 4000 K or 3000 K
4000 K – Article number + **K4**
3000 K – Article number + **K3**

Colour graphite or silver
graphite – article number
silver – article number + **A**

Accessories

71 120 Exchangeable lens flat beam
71 118 Shield
71 119 Louvre
70 214 Pole cap for pole \varnothing 48 mm
70 248 Pole cap for pole \varnothing 60 mm
70 245 Mounting box
70 252 Tree screw
70 280 Tube clamp G $\frac{1}{2}$
70 283 Screw clamp
70 379 Outrigger arm G $\frac{1}{2}$
70 889 Tension belt

For the accessories a separate instructions for use can be provided upon request.

Light distribution

