

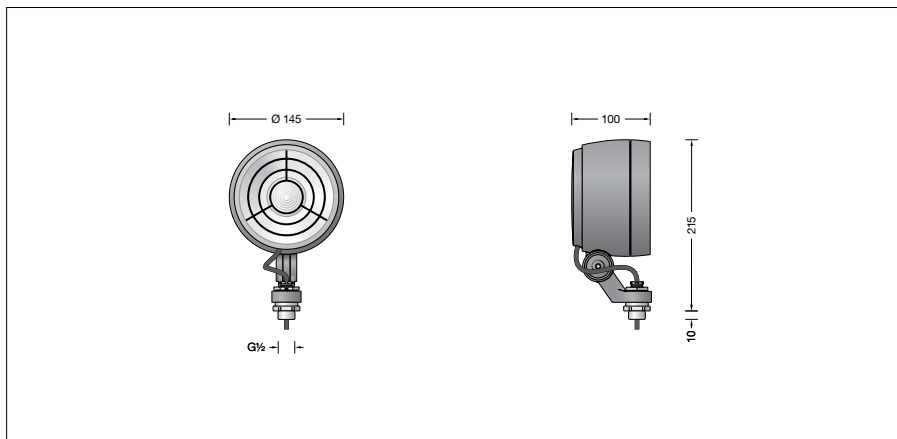
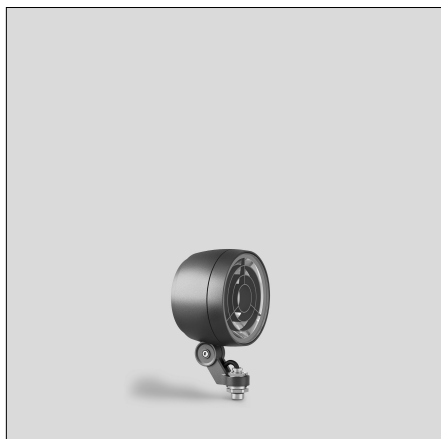
BEGA**84 215**

Performance floodlight



Project · Reference number

Date



Product data sheet

Product description

Luminaire made of aluminium alloy, aluminium and stainless steel
 BEGA Unidure® coating technology
 Clear safety glass
 Silicone gasket
 Reflector surface made of pure aluminium
 Optical silicone lens · BEGA Hybrid Optics®
 Inside louvre
 made of glass-fibre reinforced polyamide
 Rotation range of floodlight 350°
 Swivel range -30°/+140°
 Mounting bracket with G½ threaded connection
 Thread length: 10 mm
 Connecting cable X05BQ-F 5 G 1 □
 Cable length 1 m
 LED power supply unit
 220-240 V ~ 0/50-60 Hz
 DC 176-276 V
 DALI controllable
 A basic isolation exists between power cable and control line
 BEGA Thermal Control®
 Temporary thermal regulation to protect temperature-sensitive components without switching off the luminaire
 Safety class I
 Protection class IP 65
 Dust-tight and protection against water jets
 Impact strength IK08
 Protection against mechanical impacts < 5 joule
 – Safety mark
 – Conformity mark
 Wind catching area: 0.02 m²
 Weight: 1.8 kg

Application

LED performance floodlight with G½ mounting bush in compact design.
 The floodlight can be bolted together with any female thread G½ according to ISO 228 supplied by others or to BEGA accessories. For a variety of interior and exterior lighting applications.

Lamp

Module connected wattage	18.2 W
Luminaire connected wattage	20.3 W
Rated temperature	$t_a = 25\text{ °C}$
Ambient temperature	$t_{a\text{ max}} = 45\text{ °C}$

84 215 K4

Module designation	LED-0946/940
Colour temperature	4000 K
Colour rendering index	CRI > 90
Module luminous flux	2300 lm
Luminaire luminous flux	1244 lm
Luminaire luminous efficiency	61,3 lm/W

84 215 K3

Module designation	LED-0946/930
Colour temperature	3000 K
Colour rendering index	CRI > 90
Module luminous flux	2265 lm
Luminaire luminous flux	1225 lm
Luminaire luminous efficiency	60,3 lm/W

Service life · Ambient temperature

Rated temperature $t_a = 25\text{ °C}$	
LED psu:	> 50,000 h
LED module:	130,000 h (L80B50)
Ambient temperature $t_{a\text{ max}} = 45\text{ °C}$ (100 %)	
LED psu:	50,000 h
LED module:	80,000 h (L80B50) 100,000 h (L70B50)

Inrush current

Inrush current: 12 A / 24.2 μs
 Maximum number of luminaires of this type per miniature circuit breaker:
 B 10A: 50 luminaires
 B 16A: 50 luminaires
 C 10A: 50 luminaires
 C 16A: 50 luminaires

Light technique

Floodlight with narrow beam rotationally symmetrical light distribution with integrated louvre for stray light suppression. Half beam angle 8°
 For special lighting applications, the symmetrical light cone can be changed to a flat beam using an additional diffuser lens.
 Luminaire data for the light planning program DIALux for outdoor lighting, street lighting and indoor lighting, as well as luminaire data in EULUMDAT and IES format are available on the BEGA website at www.bega.com.

Article No. 84 215

LED colour temperature optionally 4000K or 3000K
 4000 K – Article number + **K4**
 3000 K – Article number + **K3**
 Colour graphite or silver
 graphite – article number
 silver – article number + **A**

Accessories

71 120 Exchangeable lens flat beam
71 118 Shield
70 214 Pole cap for pole ø 48 mm
70 248 Pole cap for pole ø 60 mm
70 245 Mounting box
70 252 Tree screw
70 280 Tube clamp G½
70 283 Screw clamp
70 379 Outrigger arm G½
70 889 Tension belt

For the accessories a separate instructions for use can be provided upon request.

Light distribution