

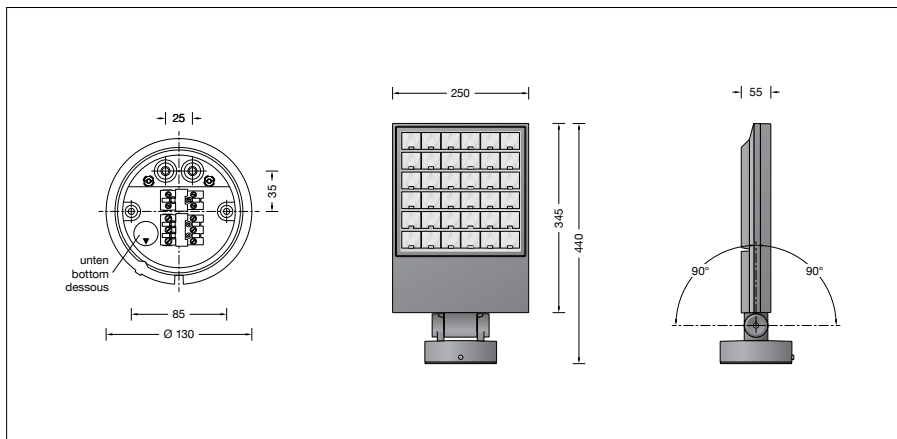
BEGA**84 207**

Performance floodlight

IP 65

Project · Reference number

Date



Product data sheet

Application

LED performance floodlight with mounting box in compact design.

Product description

Luminaire made of aluminium alloy, aluminium and stainless steel
 BEGA Unidure® coating technology
 Silicone gasket
 Safety glass with optical structure
 BEGA Vortex Optics®
 Reflector surface made of pure aluminium
 Rotation range of floodlight 350°
 Swivel range -90°/+90°
 Mounting box with 2 fixing holes
 ø 5.5 mm · 85 mm spacing
 2 cable entries for through-wiring of mains supply cable ø 7-10.5 mm, max. 5G 1.5[□]
 Connecting terminal 2.5[□] with plug connection
 Earth conductor connection
 LED power supply unit
 220-240 V ~ 0/50-60 Hz
 DC 176-264 V
 DALI controllable
 A basic isolation exists between power cable and control line
 BEGA Thermal Control®
 Temporary thermal regulation to protect temperature-sensitive components without switching off the luminaire
 Safety class I
 Protection class IP 65
 Dust-tight and protection against water jets
 Impact strength IK08
 Protection against mechanical impacts < 5 joule
 CE – Conformity mark
 Wind catching area: 0.09 m²
 Weight: 5.6 kg

Lamp

Module connected wattage 95.6 W
 Luminaire connected wattage 105 W
 Rated temperature $t_a = 25\text{ °C}$
 Ambient temperature $t_{a\text{ max}} = 35\text{ °C}$

84 207 K3

Module designation 4x LED-0999/830
 Colour temperature 3000 K
 Colour rendering index CRI > 80
 Module luminous flux 16360 lm
 Luminaire luminous flux 7330 lm
 Luminaire luminous efficiency 69,8 lm/W

84 207 K4

Module designation 4x LED-0999/840
 Colour temperature 4000 K
 Colour rendering index CRI > 80
 Module luminous flux 17280 lm
 Luminaire luminous flux 7742 lm
 Luminaire luminous efficiency 73,7 lm/W

Service life · Ambient temperature

Rated temperature $t_a = 25\text{ °C}$
 LED psu: > 50,000 h
 LED module: 190,000 h (L 80 B 50)

Ambient temperature $t_{a\text{ max}} = 35\text{ °C}$ (100 %)
 LED psu: 50,000 h
 LED module: 175,000 h (L 80 B 50)

Ambient temperature $t_{a\text{ max}} = 50\text{ °C}$ (70 %)
 LED psu: 50,000 h
 LED module: > 50,000 h (L 70 B 50)

BEGA Thermal Control® protects temperature-sensitive luminaire components by temporarily limiting the nominal power at high temperatures.

Inrush current

Inrush current: 5 A / 100 μs
 Maximum number of luminaires of this type per miniature circuit breaker:
 B 10A: 11 luminaires
 B 16A: 17 luminaires
 C 10A: 11 luminaires
 C 16A: 17 luminaires

Lighting technology

Asymmetrical light distribution
 Half beam angle 46/51°
 Luminaire data for the light planning program DIALux for outdoor lighting, street lighting and indoor lighting, as well as luminaire data in EULUMDAT and IES format are available on the BEGA website at www.bega.com.

Article No. 84 207

LED colour temperature optionally 3000K or 4000K
 3000 K – Article number + **K3**
 4000 K – Article number + **K4**

Colour graphite or silver
 graphite – article number
 silver – article number + **A**

Light distribution